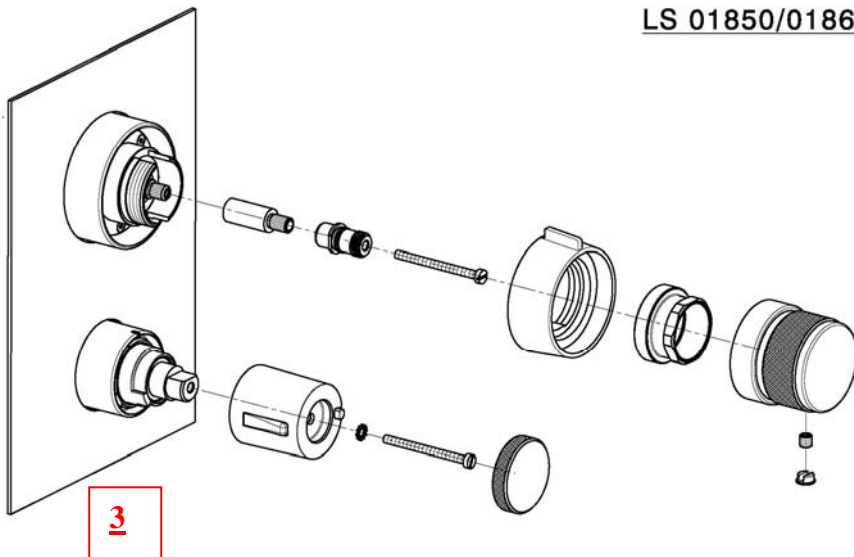
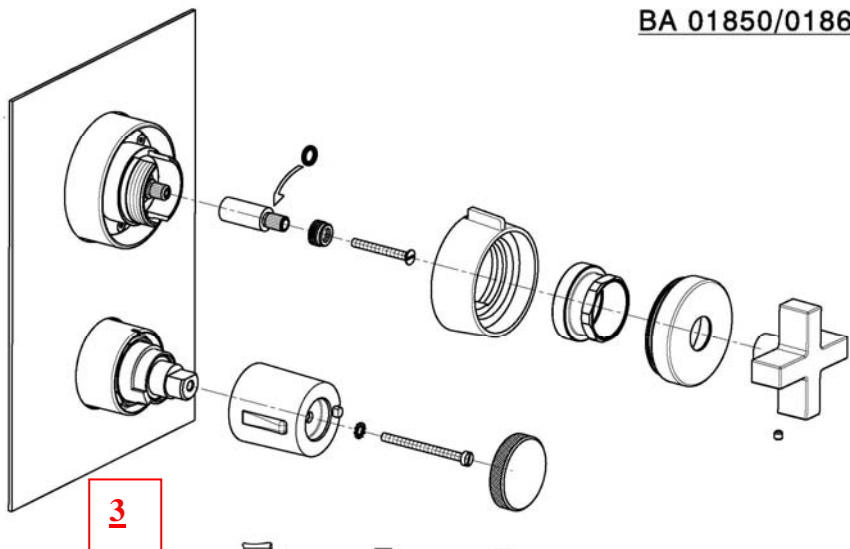


ISTRUZIONI DI MONTAGGIO ART. ZA008320
INSTRUCTIONS DE MONTAGE POUR ART. ZA008320
ASSEMBLING INSTRUCTIONS FOR ART. ZA008320
INSTRUCCIONES DE MONTAJE PARA ART. ZA008320
MONTAGEANWEISUNG FUER ART. ZA008320
MONTAGE VOORSCHRIFT VOOR ART. ZA008320

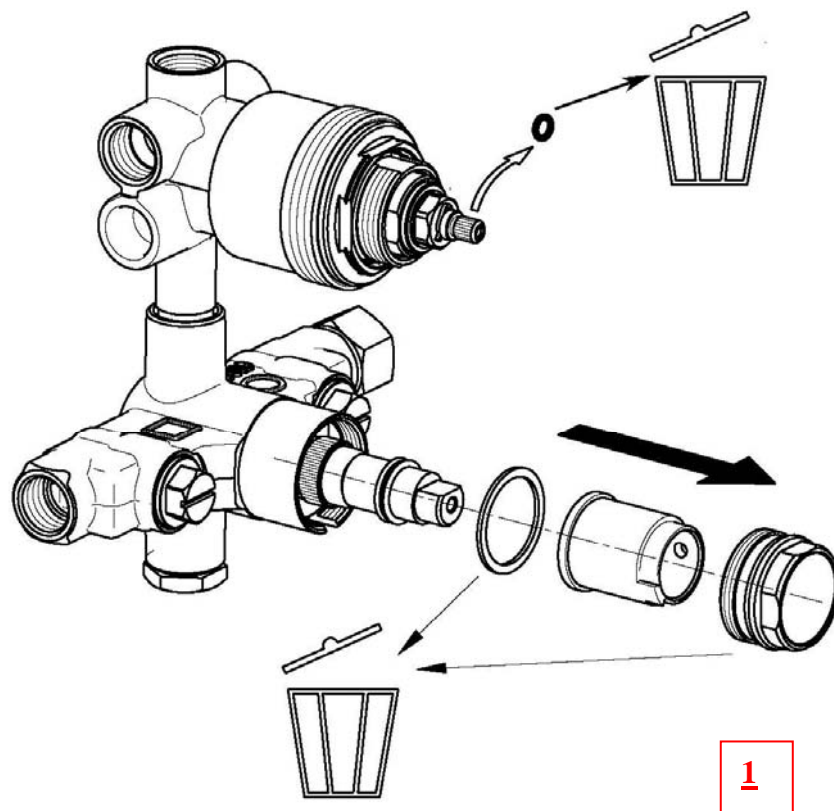
LS 01850/01860



BA 01850/01860



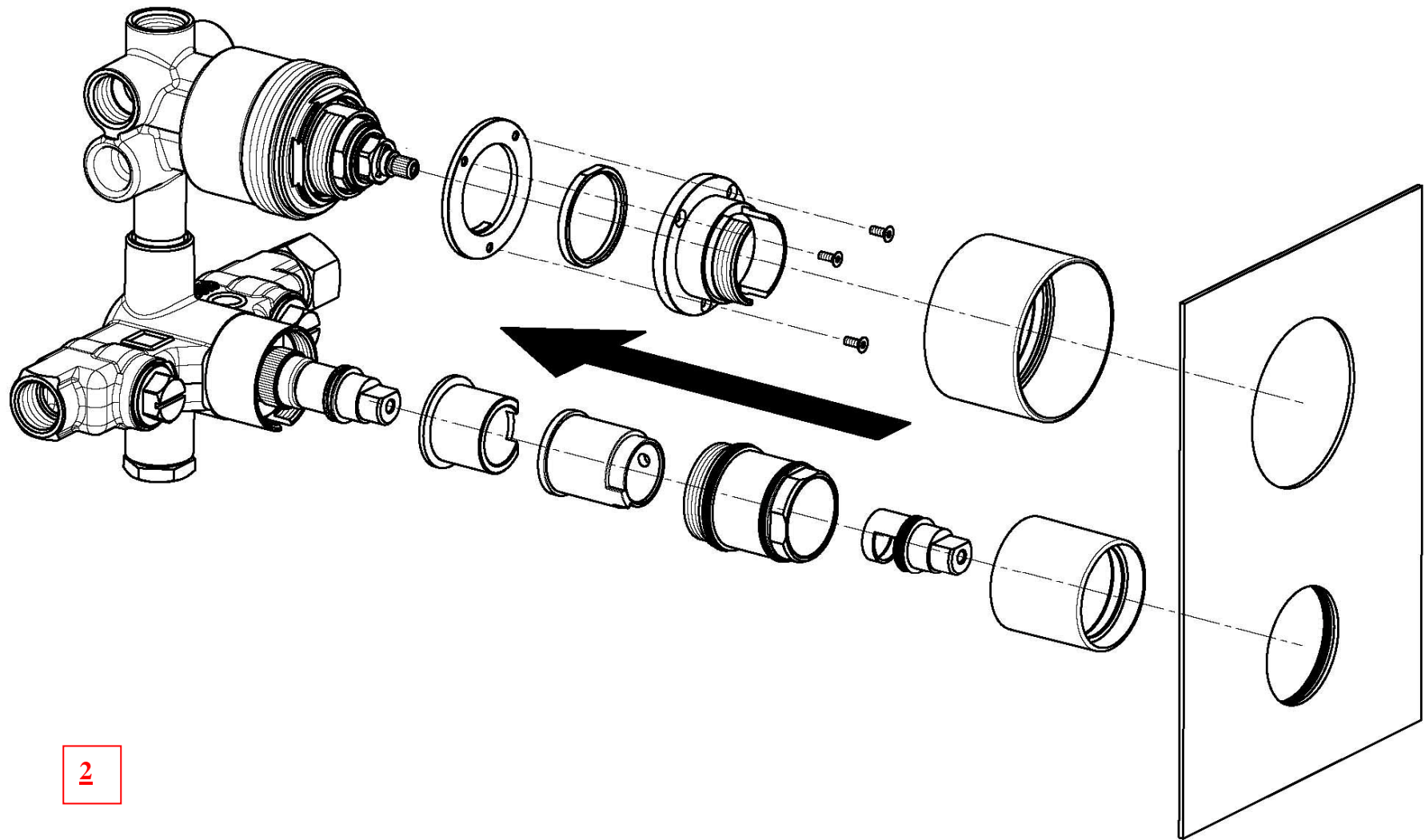
 **cisal**
RUBINETTERIA
CISAL. L'ACQUALITÀ.



COD. 0100510000 ED.1.0

Rubetteria CISAL S.p.A. 28010 Pella frazione Alzo (Novara) – ITALY – Via P.Durio, 160
 Telefono 0322/918111 – Telefax 0322/969518 - E-mail: cisal@cisal.it - www.cisal.it

CISAL Sänitar Armaturen Vertriebs GmbH - Gewerbestrasse 8 – 91452 Wilhermsdorf – GERMANY
 Telefon: 09102/9382-0 – Telefax 09102/9382-82



2