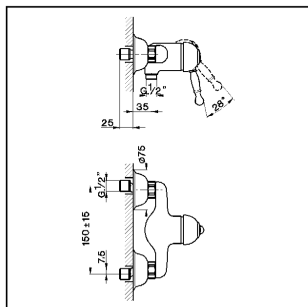


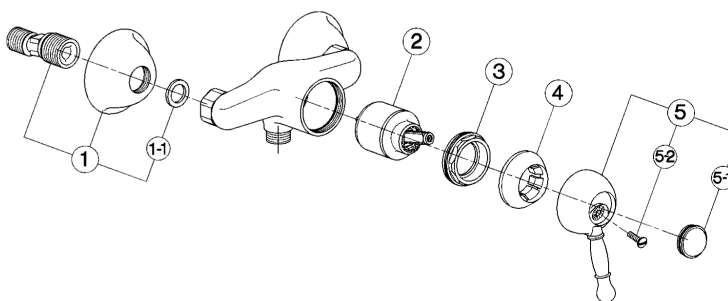
Single lever shower mixer ARCANA ROYAL_AY000441

cisal

AY 00044



- Monocomando doccia esterno
- Single lever wall-mounted shower mixer
- Einhand-Brausebatterie
- Mitigeur douche mural



bar	PORTATA * FLOW RATE DURCHFLOSS DEBIT l/min.
0,5	6,5
1	8,5
2	12
3	14,5
4	16
5	18

* con resistenza silenziosa della classe di portata A (15 l/min. a 3 bar)
with hydraulic resistance of flow rate class A (15 l/min. at 3 bar)
mit geräuscharmen Widerstand der Durchflussklasse A (15 l/min. bei 3 bar)
avec aérateur classe A (15 l/min. à 3 bar)

NR.	DESCRIZIONE DESCRIPTION BESCHREIBUNG DESCRIPTION	N. CODICE CODE NO. WERKSNR. NR. CODE	NR.	DESCRIZIONE DESCRIPTION BESCHREIBUNG DESCRIPTION	N. CODICE CODE NO. WERKSNR. NR. CODE	NR.	DESCRIZIONE DESCRIPTION BESCHREIBUNG DESCRIPTION	N. CODICE CODE NO. WERKSNR. NR. CODE
1	Eccentrico con rosone "AC" Eccentric connection with escutcheon "AC" S - Anschluss m. Rosette "AC" Excentrique + rosace "AC"	ZZ 92826 0	5-1	Placchetta per leva "AY" Cap for lever "AY" Abdeckkappe / Hebel "AY" Plaquette levier "AY"	ZZ 93048 0			
1-1	Guarnizione NBR 90 SH, 24x16x2,7 Gasket NBR 90 SH, 24x16x2,7 Dichtung NBR 90 SH, 24x16x2,7 Joint NBR 90 SH, 24x16x2,7	ZZ 92689 0	5-2	Vite M, 4,5x15 lb. tc. Screw M, 4,5x15 Schraube M, 4,5x15 Vis M, 4,5x15	ZZ 92641 0			
2	Cartuccia monocomando piccola Mixing valve - small size Kartusche Cartouche mitigeurs	ZZ 92909 0						
3	Calotta bloccaggio cartuccia piccola Nut for mixing valve-small Mutter 1/Kartusche Erou pour cartouche Copricartuccia senza ideogrammi Escutcheon cartridge without ideogram Abdeckkappe ohne Ideogramm Couvre-cartouche sans ideogramme	ZZ 92603 0						
4	Leva monocomando "AY" Lever "AY" Hebel "AY" Levier "AY"	ZZ 90370 0						

AY.4

AY000441

<https://en.cisal.it/single-lever-shower-mixer-arcana-royal-ay000441>

2026-06-10