

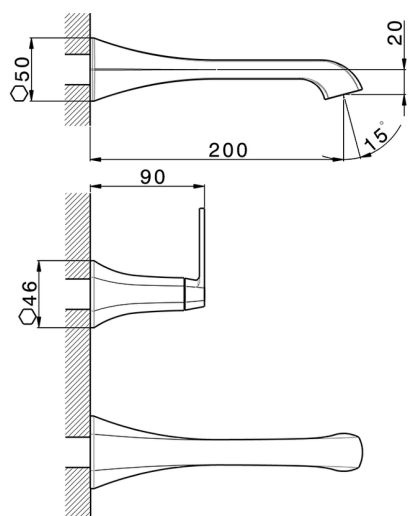
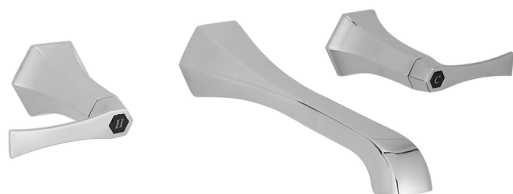
## Exposed part for concealed washbasin mixer **CHERIE\_CF013510**

MODEL **CF013510**

Exposed part for concealed washbasin mixer, without concealed part, for items ZA033511

### AVAILABLE FINISHINGS

- 
**6T** 6T Chrome/Matt Black
- 
**7C** 7C Gold/Matt Black
- 
**7D** 7D Polished Nickel/Matt Black
- 
**7E** 7E Rose Gold/Matt Black

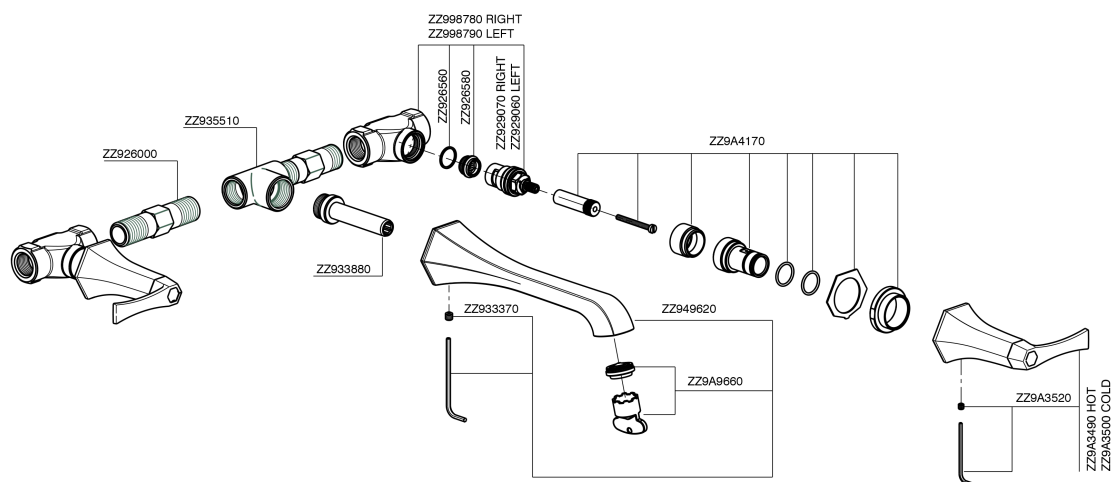


### CHARACTERISTICS

Installation **Concealed**  
 Required concealed parts **ZA033511**



## Exposed part for concealed washbasin mixer CHERIE\_CF013510



CF013510

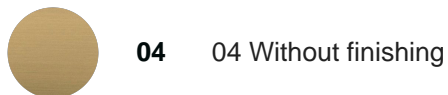
<https://en.cisal.it/exposed-part-for-concealed-washbasin-mixer-cherie-cf013510>

## Concealed washbasin mixer CONCEALED\_ZA033511

MODEL **ZA033511**

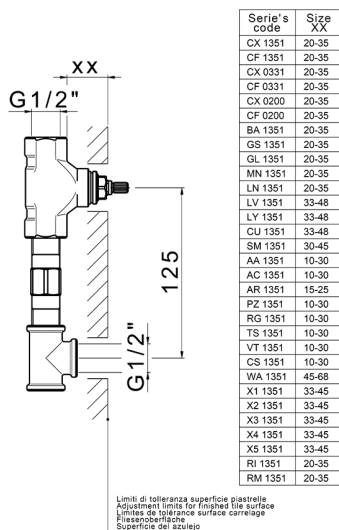
Concealed washbasin mixer, right headvalve - left headvalve

AVAILABLE FINISHINGS



CHARACTERISTICS

Concealed **1**



2026-06-14