

## Exposed part for concealed S.L. shower valve ROADSTER ACCENT\_RA003000

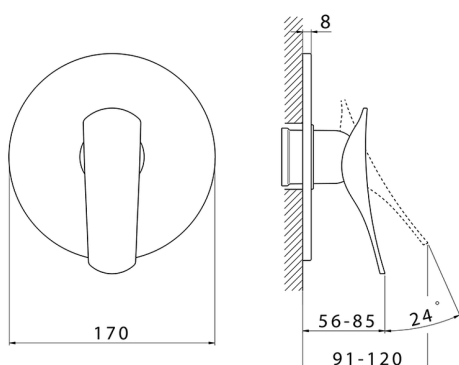
MODEL **RA003000**

Exposed part for concealed S.L. shower valve, without concealed part, for item ZA005300



### AVAILABLE FINISHINGS

-  **21** 21 Chrome
-  **2B** 2B Polished Nickel
-  **2F** 2F Brushed Nickel
-  **2Q** 2Q Black Titanium
-  **40** 40 Matt Black
-  **4Q** 4Q Matt White

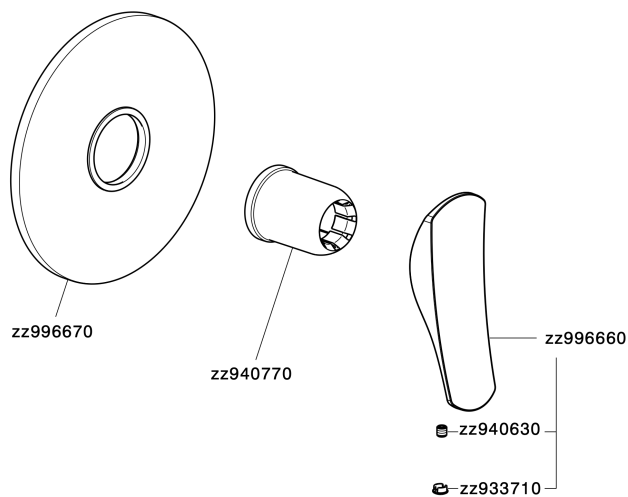


### CHARACTERISTICS

Installation **Concealed**  
 Required concealed parts **ZA005300**



## Exposed part for concealed S.L. shower valve ROADSTER ACCENT\_RA003000



RA003000

<https://en.cisal.it/exposed-part-for-concealed-s-l-shower-valve-roadster-accent-ra003000>

## Concealed single lever shower mixer CONCEALED\_ZA005300



MODEL **ZA005300**

Concealed single lever shower mixer, 1/2" concealed shower, without trim kit

AVAILABLE FINISHINGS



CHARACTERISTICS

Concealed **1**  
 Cartridge Spare Parts **ZZ94035000**  
**35 mm Cartridge**



Piastra/Plate/Plaque/Platte/Placa  
 2-3mm: XX 27-47 YY 54-74  
 10mm: XX 16-40 YY 43-68



2026-04-26