

Exposed part for concealed washbasin mixer ARCANA AMERICA_AA013510

MODEL **AA013510**

Exposed part for concealed washbasin mixer, without concealed part, for item ZA033511

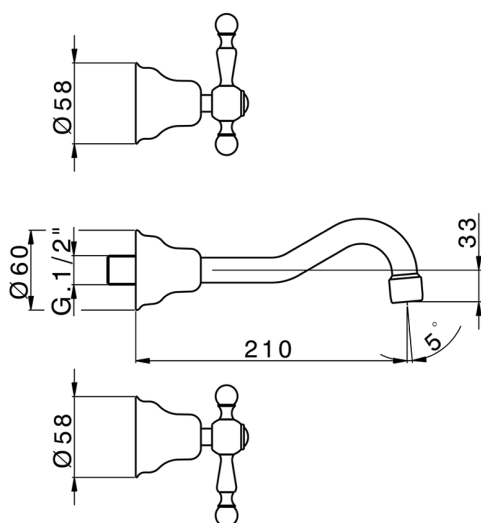
AVAILABLE FINISHINGS

-  **21** 21 Chrome
-  **24** 24 Gold
-  **26** 26 Old Copper
-  **27** 27 Old Bronze
-  **2A** 2A Satin Brushed Nickel
-  **74** 74 Chrome/Gold

CHARACTERISTICS

Installation **Concealed**

Required concealed parts **ZA033511**



Concealed washbasin mixer CONCEALED_ZA033511

MODEL **ZA033511**

Concealed washbasin mixer, right headvalve - left headvalve

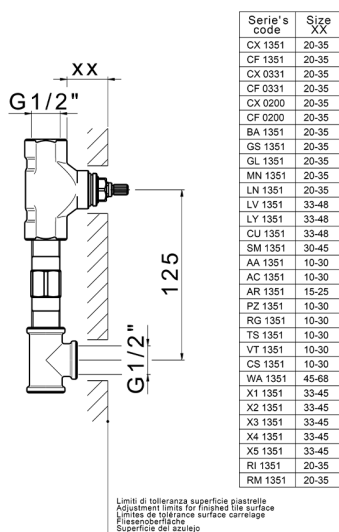
AVAILABLE FINISHINGS

 **04** 04 Without finishing



CHARACTERISTICS

Concealed **1**



2026-06-10