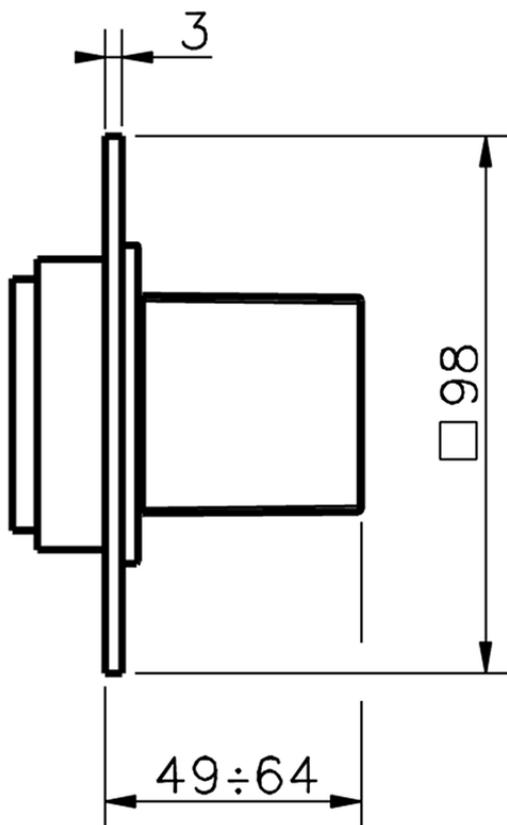
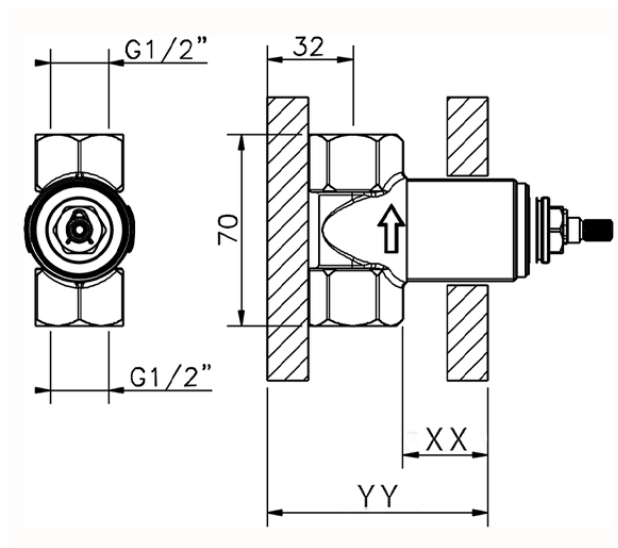


Stopvalve exposed part ROADSTER ACCENT_RA003310



RA003310

<https://en.cisal.it/stopvalve-exposed-part-roadster-accent-ra003310>



Piastra/Plate/Plaque/Platte/Placa
 2-3mm: XX 31-46 YY 80-95
 10mm: XX 25-40 YY 76-91

ZA003340

<https://en.cisal.it/1-2-stopvalve-concealed-part-concealed-za003340>



Piastra/Plate/Plaque/Platte/Placa

2-3mm: XX 31-46 YY 80-95

10mm: XX 25-40 YY 76-91

ZA003330

<https://en.cisal.it/3-4-stopvalve-concealed-part-concealed-za003330>

2026-04-04