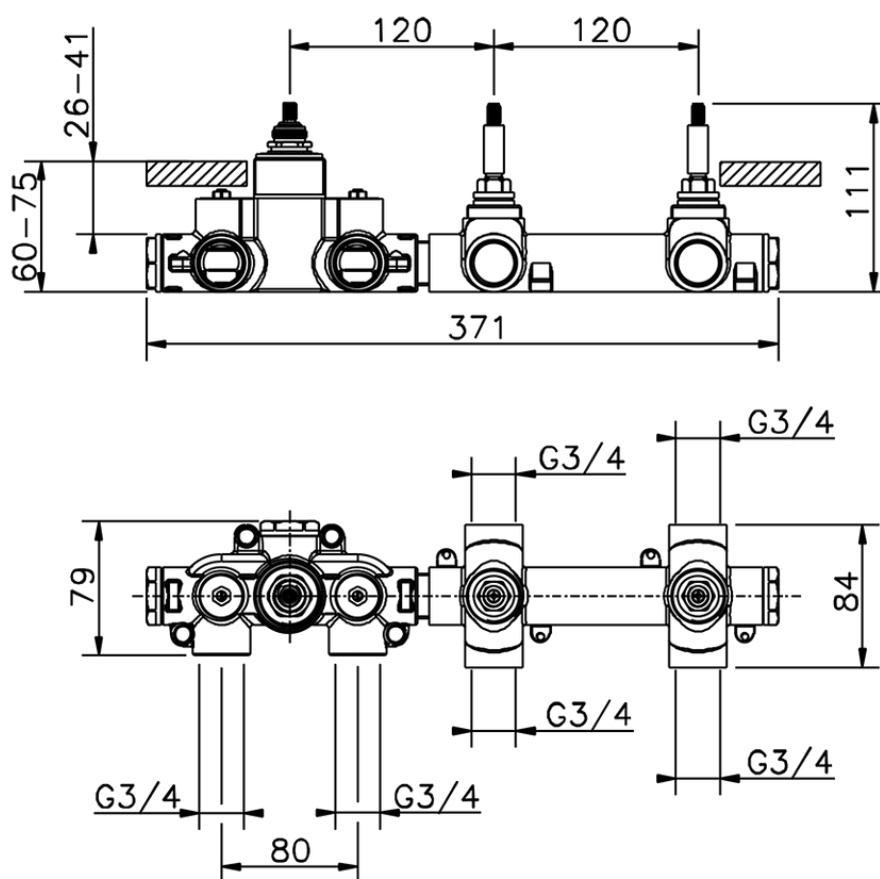


Cover Part for 2 Function Concealed Thermo. Valve HI-RISE_RI01R200

RI01R200

<https://en.cisal.it/cover-part-for-2-function-concealed-thermo-valve-hi-rise-ri01r200>



ZA01R200

<https://en.cisal.it/2-function-concealed-thermostatic-valve-concealed-za01r200>

2026-06-14