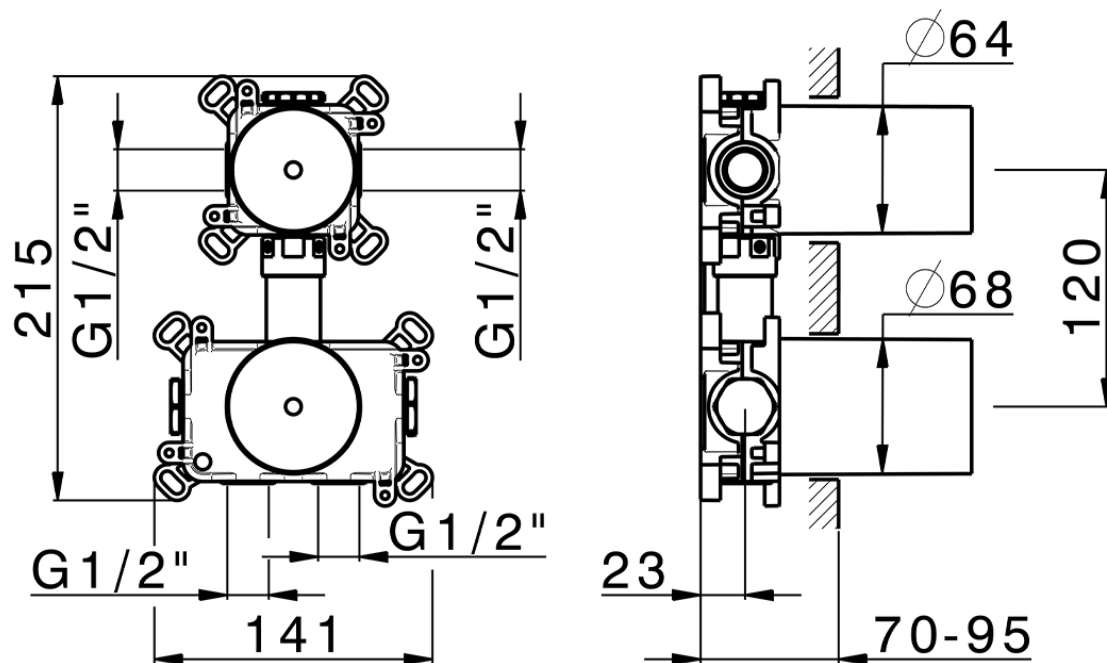


1 Function thermostatic concealed valve PUSH&SHOWER_ZA0G61V0



ZA0G61V0

<https://en.cisal.it/1-function-thermostatic-concealed-valve-pushshower-za0g61v0>

2026-04-28