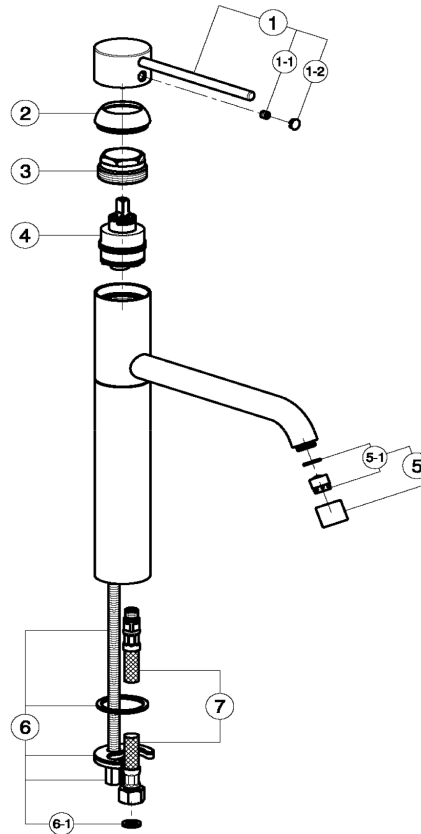
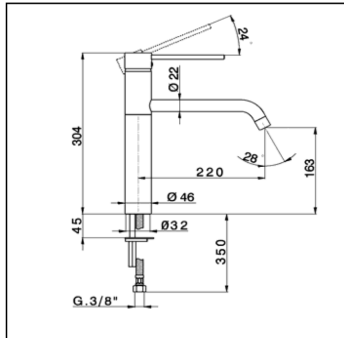


Single lever sink mixer KITCHEN_LL000580

cisal

LL 00058



| NR. | DESCRIZIONE DESCRIPTION BESCHREIBUNG DESCRIPTION | N.CODICE CODE NO. WERSKNR. NR.CODE | NR. | DESCRIZIONE DESCRIPTION BESCHREIBUNG DESCRIPTION | N.CODICE CODE NO. WERSKNR. NR.CODE | NR. | DESCRIZIONE DESCRIPTION BESCHREIBUNG DESCRIPTION | N.CODICE CODE NO. WERSKNR. NR.CODE |
|-----|---|---|-----|--|---|-----|---|---|
| | Leva monocomando "LL" | | | Aeratore M16x1 | | | | |
| 1 | Lever "LL" Hebel "LL" Levier "LL" | ZZ94404 0 | 5 | Mousseur M16x1 Perlator M16x1 Mousseur M16x1 | ZZ94409 0 | | | |
| | Grano punta piana inox M.6x6 | | | Cart.aerat.M16x1 | | | | |
| 1-1 | Screw-stainless steel M.6x6 Madenschraube M.6x6 Vis speciale inox M.6x6 | ZZ92645 0 | 5-1 | Mousseur cartridge M16x1 Kart.f/Perlator M16x1 Cartouche x mousseur M16x1 | ZZ94410 0 | | | |
| | Piacchetta per leva neutra | | | ZZ933750 | | | | |
| 1-2 | Cap for lever Abdeckkappe f/Hebel Plaquette levier | ZZ93347 0 | 6 | Installation set single lever Befestigungsset Set installation | ZZ92886 0 | | | |
| | Copricartuccia monocomando | | | Guarnizione fibra 3/8" | | | | |
| 2 | Escutcheon cartridge Abdeckkappe Couvre-cartouche | ZZ94405 0 | 6-1 | Gasket rubber 3/8" Fiberdichtung 3/8" Joint en fibre 3/8" | ZZ92696 0 | | | |
| | Calotta bloccaggio cartuccia | | | Flessibile M.11x1 3/8" F L.600 | | | | |
| 3 | Nut for mixing valve Mutter f/Kartusche Ecorou pour cartouche | ZZ93353 0 | 7 | Flex M.11x1 3/8" L.600 Anschluss Schlauch M.11x1 3/8" L.600 Flex M.11x1 3/8" L.600 | ZZ92934 0 | | | |
| | Cartuccia monocomando | | | | | | | |
| 4 | Mixing valve Kartusche Cartouche mitigeurs | ZZ93196 0 | | | | | | |

LL000580

<https://en.cisal.it/single-lever-sink-mixer-kitchen-ll000580>

2025-01-02