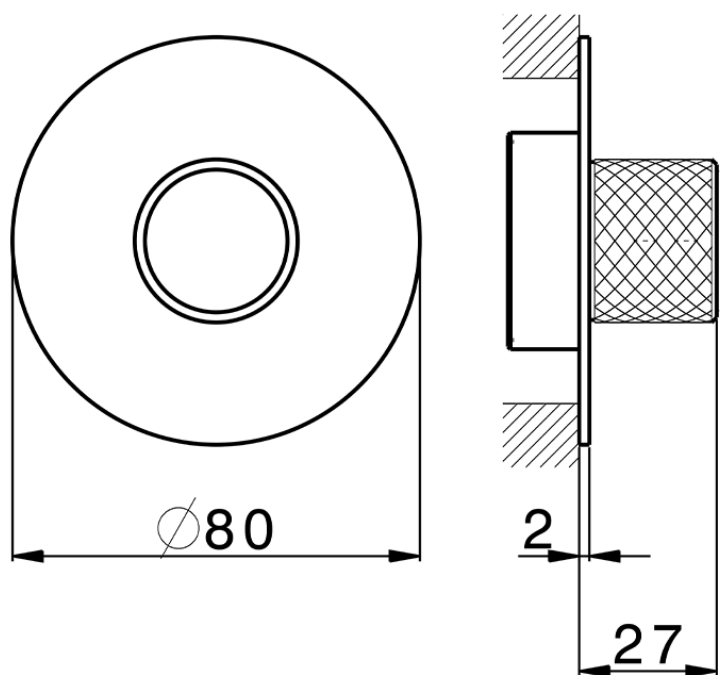


## Exposed part for individual Push&Shower PUSH&SHOWER\_PS1G6110



PS1G6110

<https://en.cisal.it/exposed-part-for-individual-pushshower-pushshower-ps1g6110>

2026-06-13