

## Wall mounted soap dispenser BATHROOM ACCESSORIES\_AE090620

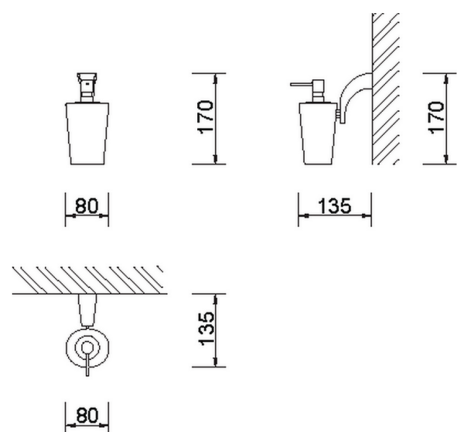
MODEL **AE090620**

Wall mounted soap dispenser, dispenser wall

AVAILABLE FINISHINGS



CHARACTERISTICS



2026-06-08