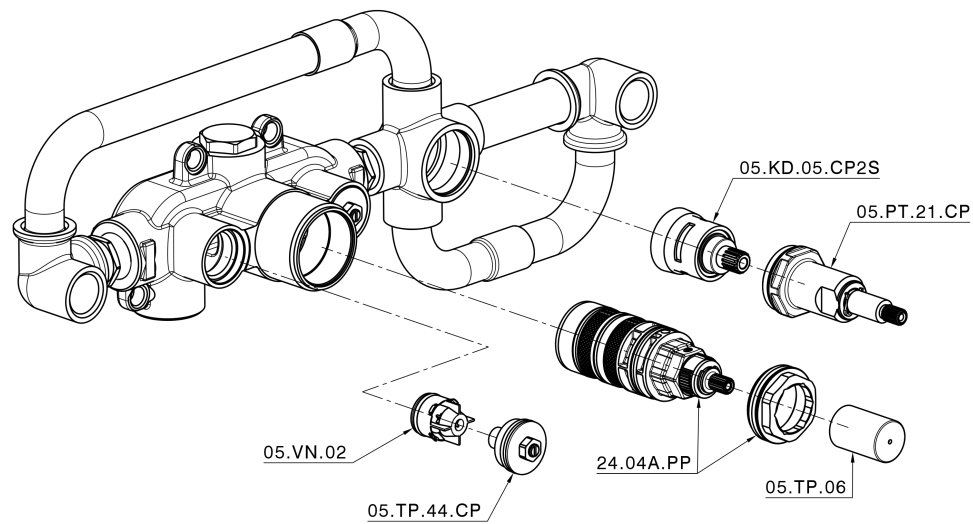


Concealed thermostatic bath mixer, 2-outlets CONCEALED_ZA019440



ZA019440

<https://en.cisal.it/concealed-thermostatic-bath-mixer-2-outlets-concealed-za019440>

2026-04-08