




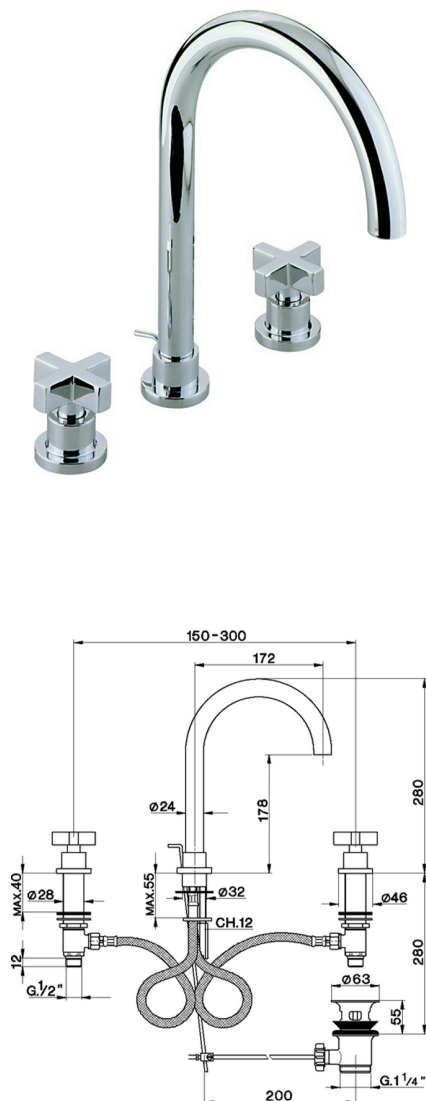
3 hole washbasin mixer BARCELONA_BA001060

MODEL **BA001060**

3 hole washbasin mixer, with automatic 1"1/4 automatic pop-up waste

AVAILABLE FINISHINGS

-  **21** 21 Chrome
-  **2A** 2A Satin Brushed Nickel
-  **40** 40 Matt Black



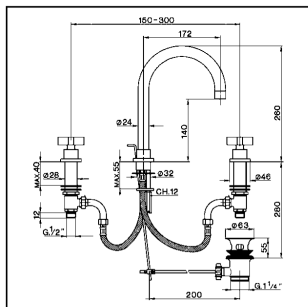
CHARACTERISTICS



3 hole washbasin mixer BARCELONA_BA001060

cisal

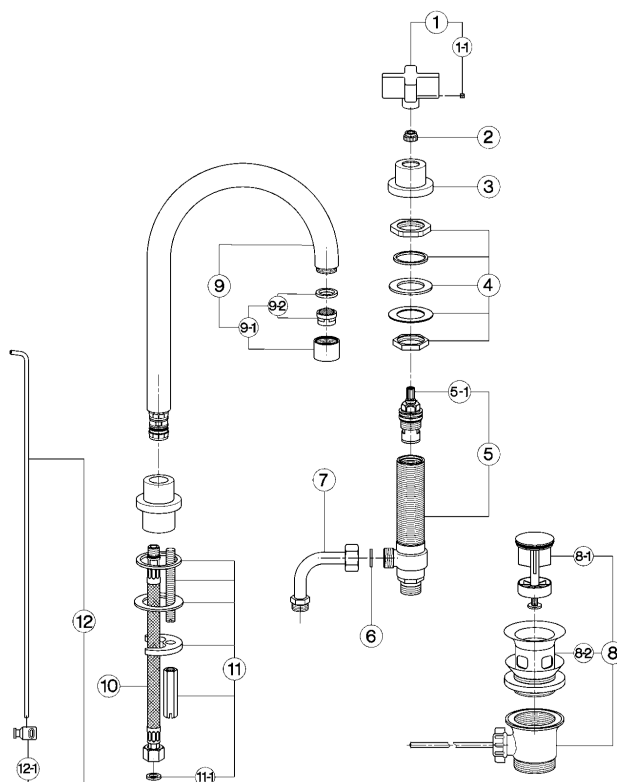
BA 00106



- Batteria lavabo
- Wash basin mixer
- Waschtischbatterie
- Mélangeur lavabo

bar	PORTATA BOCCA DI EROGAZIONE * SPOUT FLOW RATE DURCHFLOSS WANNENEINLAUF DEBIT BEC DEVERSEUR l/min.
0.5	6
1	8.5
2	12
3	14.5
4	16.5
5	18.5

* con resistenza silenziosa della classe di portata A (15 l/min. a 3 bar)
with hydraulic resistance of flow rate class A (15 l/min. at 3 bar)
mit geräuscharmen Widerstand der Durchflussklasse A (15 l/min. bei 3 bar)
avec aérateur classe A (15 l/min. à 3 bar)



NR.	DESCRIZIONE DESCRIPTION BESCHREIBUNG DESCRIPTION	N. CODICE CODE NO. WERKSNR. NR. CODE	NR.	DESCRIZIONE DESCRIPTION BESCHREIBUNG DESCRIPTION	N. CODICE CODE NO. WERKSNR. NR. CODE	NR.	DESCRIZIONE DESCRIPTION BESCHREIBUNG DESCRIPTION	N. CODICE CODE NO. WERKSNR. NR. CODE
1	Maniglia "BA" per monofori Handle "BA" for single hole mixer Griff "BA" 1/Einloch-Batterien Croisillon "BA" pour mélangeur monofori	ZZ 93289 0	8	Scarico automatico 1" 1/4 sabbliato Pop-up waste 1" 1/4 Ablaugarnitur 1" 1/4 Vidage automat. 1" 1/4	ZZ 92754 0	12	Astina scarico completa Ø4 Rod Ø4 Zugstange Ø4 Tige Ø4	ZZ 93350 0
1-1	Grano punta plana inox M.4x4 Screw-stainless steel M.4x4 Mädenschraube M.4x4 Vis speciale inox M.4x4	ZZ 93328 0	8-1	Tappo completo scarico automatico 1" 1/4 Plug for pop-up waste 1" 1/4 Stopfen 1/Ablaug, kpl 1" 1/4 Bonde - vidage 1" 1/4	ZZ 92925 0	12-1	Morsetto astina scarico automatico Connection for pop-up rod Gelenkstück 1/Zugstange Jonction x tige vidage	ZZ 93343 0
2	Riduzione brocciata completa Complete broached reduction piece Verkürzung Raemwerkzeug komplett Reduction avec brochage complète	ZZ 93330 0	8-2	Piletta per scarico automatico 1" 1/4 Waste for bath drain 1" 1/4 Ablauf 1/Ablaugarnitur 1" 1/4 Crépine pour vidage 1" 1/4	ZZ 92924 0			
3	Cappuccio per batteria lavabo Escutcheon for basin mixer Abdeckkappe - WT Rosace lavabo	ZZ 93333 0	9	Canna alta Ø24 interasse 172 Swinging spout 172 Ø24 Austlauf-Rohr-U-172 Ø24 Bec orientable 172 Ø24	ZZ 93285 0			
4	Set installazione batteria lavabo Installation set basin mixer Belegungsset Set installation	ZZ 93348 0	9-1	Aeratore M.22x1 IA Cascade Mousseur M.22x1 IA Cascade Perlator M.22x1 IA Cascade Mousseur M.22x1 IA Cascade	ZZ 93283 0			
5	Piantana vitone DX Tail piece-basin mixer right Unterteil WT m/Oberteil rechts Corp. lat. lav. tête droite	ZZ 92888 0	9-2	Cartuccia per aeratore M. 22x1 Cascade Mousseur cartridge M.22x1 Cascade Kart. 1/Perlator M.22x1 Cascade Cartouche x mousseur M.22x1 Cascade	ZZ 93339 0			
5-1	Vitone ceramico 1/2" DX 90° Ceramic headvalve 1/2" right 90° Keramikoberteil 1/2" - rechts 90° Tête céram. 1/2" droite 90°	ZZ 92907 0	10	Flessibile M.11x1 3/8" F L.380 Flex M.11x1 3/8" L.380 Anschlussschlauch M.11x1 3/8" L.380 Flex M.11x1 3/8" L.380	ZZ 92804 0			
6	Guarnizione fibra 18,5x11x2 Gasket rubber 18,5x11x2 Fiberdichtung 18,5x11x2 Joint en fibre 18,5x11x2	ZZ 92714 0	11	Set installazione monocomando monofori Installation set single hole Befestigungsset Set installation	ZZ 92899 0			
7	Corvetta 90° G.3/8"XG.1/2" Connection 90° 1/2"x1/2" Winkel 90° G. 3/8" XG. 1/2" Coude 90° G.3/8"XG.1/2"	ZZ 93349 0	11-1	Guarnizione fibra 3/8" Gasket rubber 3/8" Fiberdichtung 3/8" Joint en fibre 3/8"	ZZ 92696 0			

BA.14

BA001060

<https://en.cisal.it/3-hole-washbasin-mixer-barcelona-ba001060>

2026-04-26