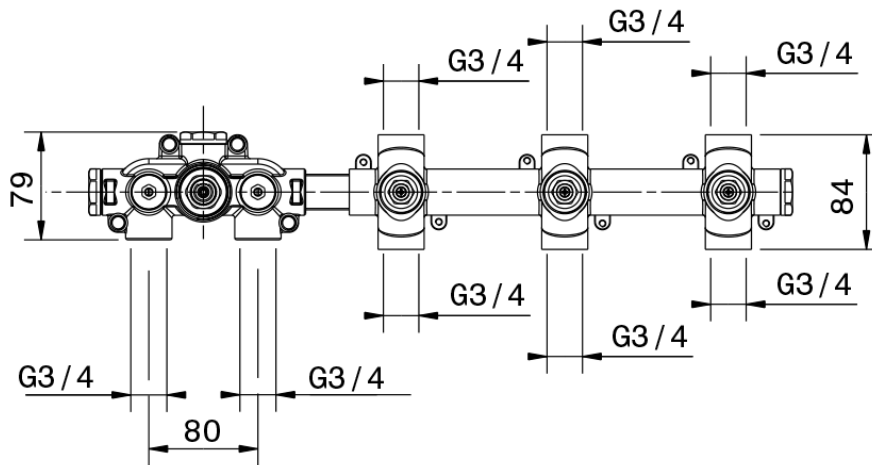
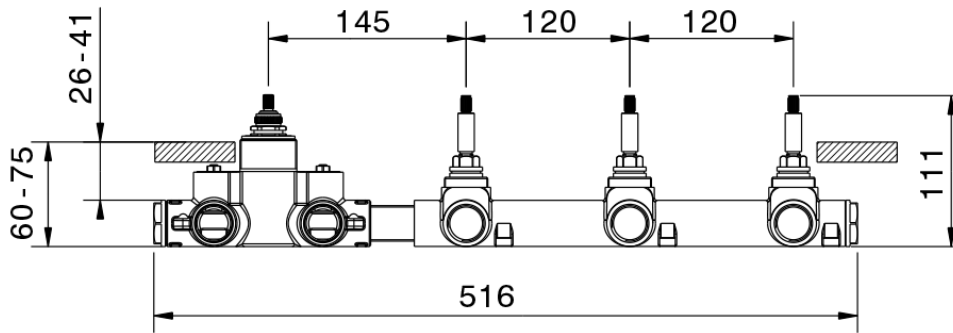


3 Function Concealed Thermostatic Built-in Part CONCEALED_ZA00R300



ZA00R300

<https://en.cisal.it/3-function-concealed-thermostatic-built-in-part-concealed-za00r300>

2026-04-04