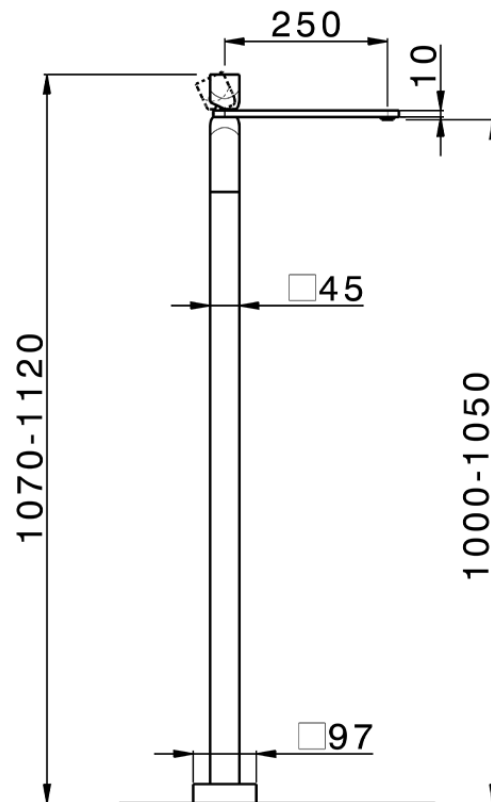


## Exposed part for single basin on the floor HI-RISE\_RI014514



RI014514

<https://en.cisal.it/exposed-part-for-single-basin-on-the-floor-hi-rise-ri014514>



ZA004510

<https://en.cisal.it/concealed-part-single-lever-free-standing-concealed-za004510>

2026-04-27