





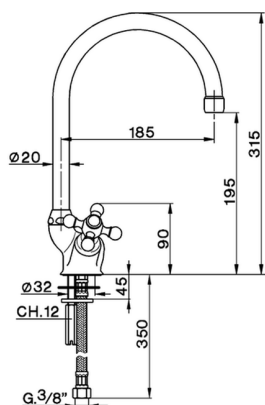
Sink mixer KITCHEN_AC000530

MODEL **AC000530**

Sink mixer, swivel spout

AVAILABLE FINISHINGS

-  **21** 21 Chrome
-  **26** 26 Old Copper
-  **27** 27 Old Bronze
-  **2A** 2A Satin Brushed Nickel



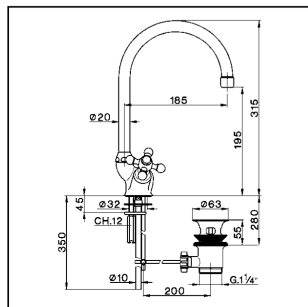
CHARACTERISTICS



Sink mixer KITCHEN_AC000530

cisal

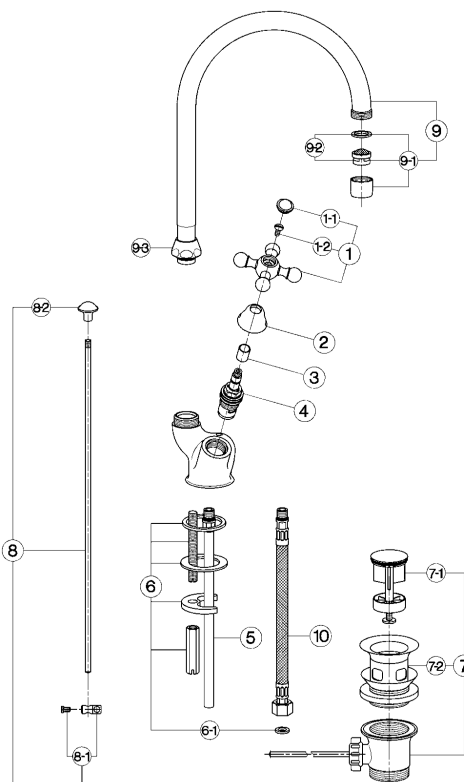
AC 00052 (AC 00053)



- **Monoforo lavabo**
- **Single hole basin mixer**
- **Einloch-Waschtischbatterie**
- **Mélangeur monotrou lavabo**

| bar | PORTATA BOCCA DI EROGAZIONE * SPOUT FLOW RATE DURCHFLUSS WANNENEINLAUF DÉBIT BEC DÉVERSEUR l/min. |
|-----|---|
| 0,5 | 9,5 |
| 1 | 13 |
| 2 | 18,5 |
| 3 | 22,5 |
| 4 | 26 |
| 5 | 29 |

* con resistenza silenziosa della classe di portata B (25,2 l/min. a 3 bar)
with hydraulic resistance of flow rate class B (25.2 l/min. at 3 bar)
mit geräuscharmen Widerstand der Durchflussklasse B (25.2 l/min. bei 3 bar)
avec aérateur classe B (25.2 l/min. à 3 bar)



| NR. | DESCRIZIONE DESCRIPTION BESCHREIBUNG DESCRIPTION | N. CODICE CODE NO. WERKSNR. NR. CODE | NR. | DESCRIZIONE DESCRIPTION BESCHREIBUNG DESCRIPTION | N. CODICE CODE NO. WERKSNR. NR. CODE | NR. | DESCRIZIONE DESCRIPTION BESCHREIBUNG DESCRIPTION | N. CODICE CODE NO. WERKSNR. NR. CODE |
|-----|---|---|-----|---|---|-----|--|---|
| 1 | Maniglia "AR" con vite e placchetta Handle with screw and plate "AR" Griff "AR" mit Schraube und Abdeckplatte Croisillon avec vis et plaque "AR" | ZZ 90307 0 | 7 | Scarico automatico 1" 1/4 sabbato Pop-up waste 1" 1/4 Ablaufgarnitur 1" 1/4 Vidage automat. 1"1/4 | ZZ 92754 0 | 9-3 | Calotta 3/4" es.29 Ø19,5 Nut 3/4" Ø19,5 Mutter 3/4" Ø19,5 Ecrou 3/4" Ø19,5 | ZZ 92615 0 |
| 1-1 | Placchetta a vite maniglia "AR" Cap for handle "AR" Abdeckplatte "AR" Griff Plaque cache - vis crois. "AR" | ZZ 92617 0 | 7-1 | Tappo completo scarico automatico 1" 1/4 Plug for pop-up waste 1" 1/4 Stöpln f/Abflussg. 1" 1/4 Bonde - vidage 1"1/4 | ZZ 92925 0 | 10 | Flessibile M.11x1 3/8" F.L.365 Flex M.11x1 3/8" L.365 Anschlusschlauch M.11x1 3/8" L.365 Flex M.11x1 3/8" L.365 | ZZ 92842 0 |
| 1-2 | Vite M.4,5x10 tb. tc. zigrinata Screw M.4,5x10 Schraube M.4,5x10 Vis M.4,5x10 | ZZ 92609 0 | 7-2 | Piletta per scarico automatico 1" 1/4 Waste for bath drain 1" 1/4 Abfluss / Abflussgarnitur 1" 1/4 Crépine pour vidage 1" 1/4 | ZZ 92924 0 | | | |
| 2 | Cappuccio coprivite Ø32 H.21 "AC" Escutcheon Ø32 H.21 "AC" Abdeckplatte Ø32 H.21 "AC" Rosace couvre-tête Ø32 H.21 "AC" | ZZ 92652 0 | 8 | Astina scarico completa Ø6 Rod Ø6 Zugstange Ø6 Tige Ø6 | ZZ 92760 0 | | | |
| 3 | Tubetto copriasta "AR" H.15,5 Sliding cover tube "AR" H.15,5 Abdeckplatte Oberteil "AR" H.15,5 Tube couvre-tête "AR" H.15,5 | ZZ 92619 0 | 8-1 | Morsetto astina scarico automatico Ø6,2 Connection for pop-up rod Ø6,2 Gelenkstueck f/Zugstange Ø6,2 Jonction x tige vidage Ø6,2 | ZZ 92622 0 | | | |
| 4 | Vitona ceramico DX per monotori e gruppi "AC" Ceramic headvalve 1/2" right "AC"-short Keramkoberteil 1/2"-rechts-"AC"-kurz Tête céramique 1/2" droite "AC"- courte | ZZ 92858 0 | 8-2 | Pomolo per scarico automatico "AR" Knob for pop-up rod "AR" Zugknopf f/Abflussgarn. "AR" Pommeau - tige "AR" | ZZ 92624 0 | | | |
| 5 | Tubetto monotoro "SU" con O.R. Tube with O.R. "SU" Anschlussrohr mit O.R. "SU" Tube "SU" avec O.R. | ZZ 92838 0 | 9 | Canna alta Ø20 interasse 185 Swinging spout 185 Ø20 Auslauf-Rohr-schwenkbar-185 Ø20 Bec orientable 185 Ø20 | ZZ 90124 0 | | | |
| 6 | Set installazione monocomando monoforo Installation set single hole Befestigungssat Set Installation | ZZ 92851 0 | 9-1 | Aeratore M.22x1 IB Mousseur M.22x1 IB Perlator M.22x1 IB Mousseur M.22x1 IB | ZZ 92841 0 | | | |
| 6-1 | Guarnizione fibra 3/8" Gasket rubber 3/8" Fiberring 3/8" Joint en fibre 3/8" | ZZ 92696 0 | 9-2 | Cerchiuccia per aeratore M. 22x1 Mousseur cartidge M.22x1 Kart. f/Perlator M.22x1 Cartouche x mousseur M.22x1 | ZZ 92703 0 | | | |

AC.7

AC000530

<https://en.cisal.it/sink-mixer-kitchen-ac000530>

2024-12-22