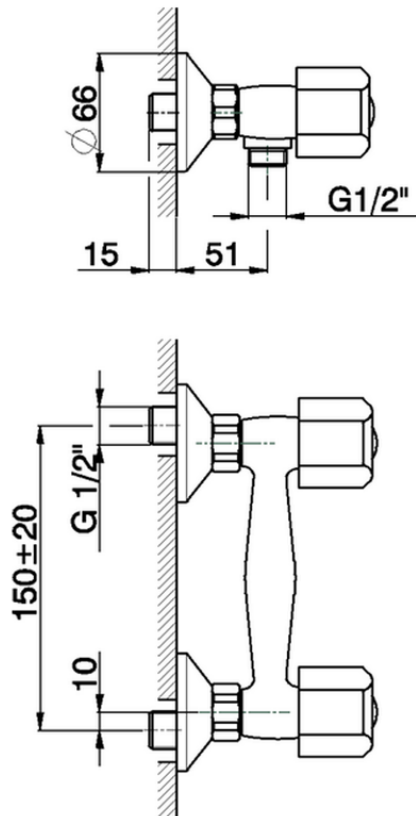


Shower mixer TR_TR000441



TR000441

<https://en.cisal.it/shower-mixer-tr-tr000441>

2026-04-28