

Stopvalve exposed part **CHERIE_CX003310**

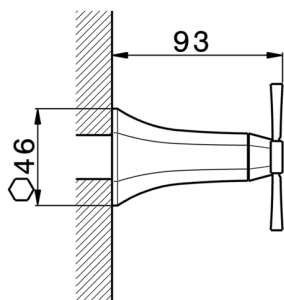
MODEL **CX003310**

Stopvalve exposed part, without concealed part, for item ZA003320 - ZA003321, ZA003310 - ZA003311



AVAILABLE FINISHINGS

- 
6T 6T Chrome/Matt Black
- 
7C 7C Gold/Matt Black
- 
7D 7D Polished Nickel/Matt Black
- 
7E 7E Rose Gold/Matt Black



CHARACTERISTICS

Installation **Concealed**

Required concealed parts **ZA003311**

ZA003310

ZA003321

ZA003320



3/4 Stopvalve concealed part CONCEALED_ZA003311

MODEL **ZA003311**

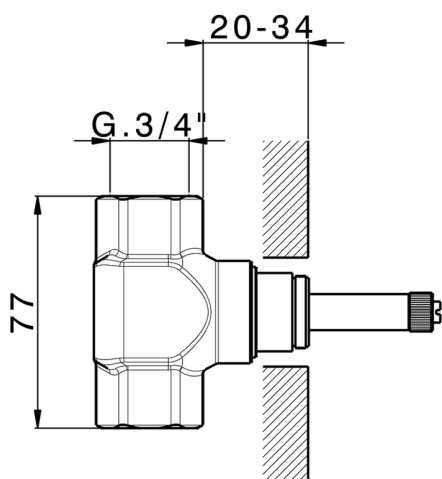
3/4" Stopvalve concealed part, opening clockwise

AVAILABLE FINISHINGS

 **04** 04 Without finishing

CHARACTERISTICS

Concealed **1**



3/4 Stopvalve concealed part CONCEALED_ZA003310

MODEL **ZA003310**

3/4" Stopvalve concealed part, Opening counterclockwise



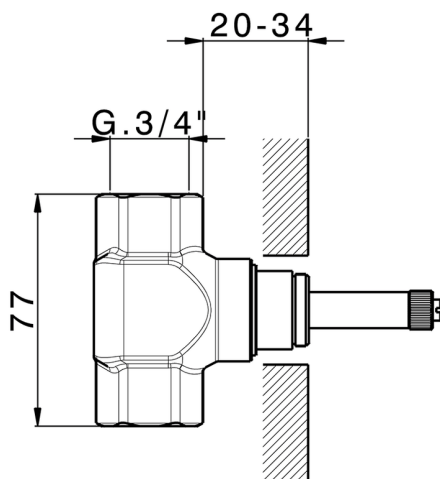
AVAILABLE FINISHINGS



04 04 Without finishing

CHARACTERISTICS

Concealed **1**



1/2" stopvalve concealed part CONCEALED_ZA003321

MODEL **ZA003321**

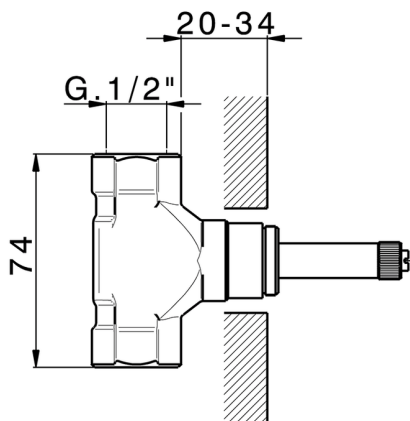
1/2" stopvalve concealed part, opening clockwise

AVAILABLE FINISHINGS

 **04** 04 Without finishing

CHARACTERISTICS

Concealed **1**




1/2" stopvalve concealed part CONCEALED_ZA003320

MODEL **ZA003320**

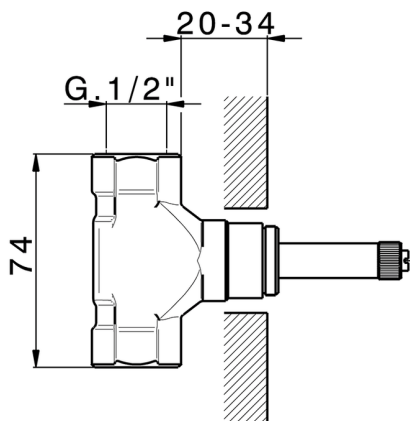
1/2" stopvalve concealed part, opening counterclockwise

AVAILABLE FINISHINGS

 **04** 04 Without finishing

CHARACTERISTICS

Concealed **1**



2026-06-14