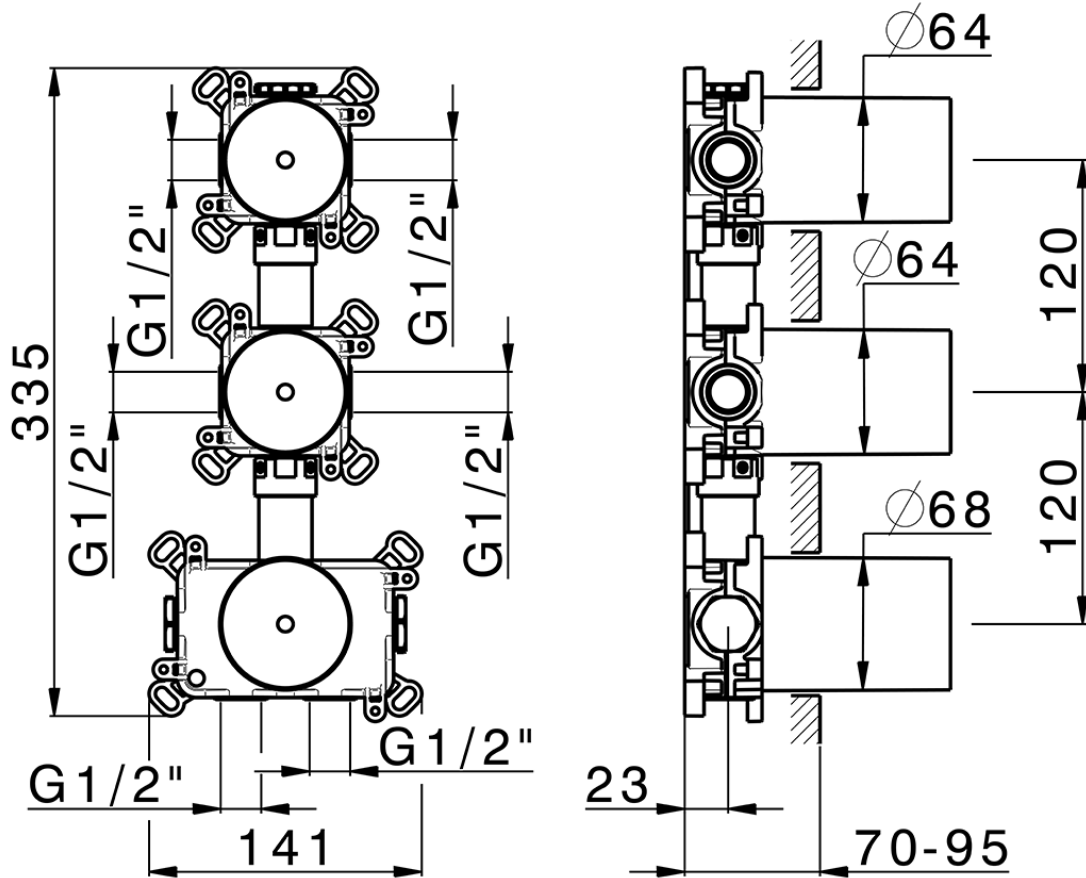


## 2 Function thermostatic concealed valve PUSH&SHOWER\_ZA0G62V0



ZA0G62V0

<https://en.cisal.it/2-function-thermostatic-concealed-valve-pushshower-za0g62v0>

2026-04-28