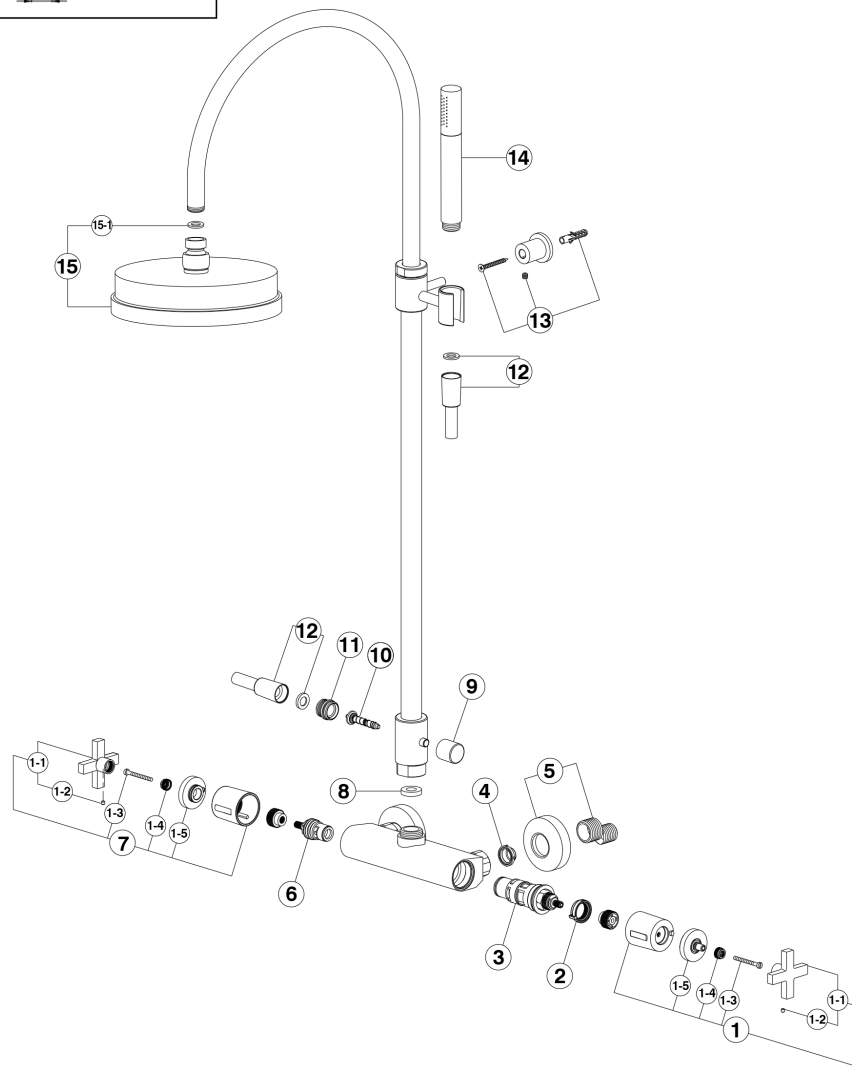
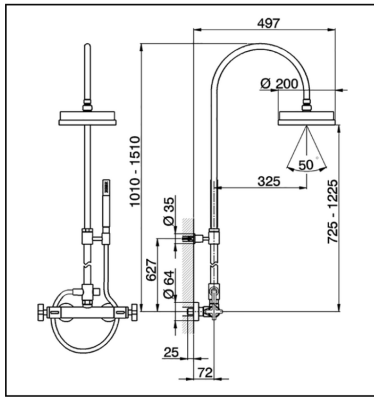


## Thermostatic shower column, 2-functions BARCELONA\_BA004080



**BA 00408 0**

da Febbraio 2009 - from February 2009  
ab Februar 2009 - de Février 2009



BA004080

<https://en.cisal.it/thermostatic-shower-column-2-functions-barcelona-ba004080>

## Thermostatic shower column, 2-functions BARCELONA\_BA004080

# cisal

**BA 00408 0**

 da Febbraio 2009 - from February 2009  
 ab Februar 2009 - de Février 2009

| NR. | DESCRIZIONE<br>DESCRIPTION<br>BESCHREIBUNG<br>DESCRIPTION  | N.CODICE<br>CODE NO.<br>WERSKNR.<br>NR.CODE | NR. | DESCRIZIONE<br>DESCRIPTION<br>BESCHREIBUNG<br>DESCRIPTION  | N.CODICE<br>CODE NO.<br>WERSKNR.<br>NR.CODE | NR.  | DESCRIZIONE<br>DESCRIPTION<br>BESCHREIBUNG<br>DESCRIPTION  | N.CODICE<br>CODE NO.<br>WERSKNR.<br>NR.CODE |
|-----|--|---|-----|--|---|------|--|---|
| 1   | Maniglia "BA" regolazione temperatura<br>Croisillon "BA" gradué<br>Handle - temperature set-up "BA"<br>Griff "BA" Temperaturbergrenzer                         | ZZ935620                                    | 5   | Eccentrico con rosone<br>Excentrique + rosace<br>Excentric connection with escutcheon<br>S - Anschluss m.Rosette   | ZZ946000                                    | 9    | Pomolo per deviazione<br>Pommeau pour inverseur<br>Knob for diverter<br>Zugknopf Umsteller   | ZZ933290                                    |
| 1-1 | Maniglia "BQ" per monofori<br>Croisillon "BQ" pour mélangeur monotrou<br>Handle "BQ" for single hole mixer<br>Griff "BQ" f/Einloch-Batterien                   | ZZ945990                                    | 6   | Vitone ceramico 1/2 destro 180° term.<br>Tête céramique 1/2 droite 180° therm.<br>Ceramic headvalve 1/2 right 180° therm.<br>Keramikoberteil 1/2 rechts 180°Therm. | ZZ945890                                    | 10   | Asta deviazione completa<br>Tige inverseur complète<br>Complete diverting rod<br>Umstellung  | ZZ933140                                    |
| 1-2 | Grano punta piana inox M.4x4<br>Vis speciale inox M.4x4<br>Screw stainless steel M.4x4<br>Madenschraube M.4x4  | ZZ933280                                    | 7   | Maniglia "BA" regolazione portata<br>Croisillon "BA" débit<br>Handle - flow rate control "BA"<br>Griff "BA" f/Absperrung   | ZZ935650                                    | 11   | Attacco flessibile<br>Raccord flex<br>Flexible connection<br>Flex Anschluss  | ZZ931410                                    |
| 1-3 | Vite M.4x40 t.c. tc.<br>Vis M.4x40<br>Screw M.4x40<br>Schraube M.4x40  | ZZ926790                                    | 7-1 | Maniglia "BQ" per monofori<br>Croisillon "BQ" pour mélangeur monotr.<br>Handle "BQ" for single hole mixer<br>Griff "BQ" f/Einloch-Batterien                        | ZZ945990                                    | 12   | Flex PVC 150 cm Ø14 1/2" x 1/2" conico<br>Flexible PVC 150 cm Ø14 1/2" x 1/2"<br>Flex. PVC 150 cm Ø14 1/2" x 1/2"<br>Braueschl. PVC 150 cm Ø14 1/2" x 1/2" | ZZ9A9550                                    |
| 1-4 | Riduzione brocciata completa<br>Reduction avec brochage complete<br>Complete broached reduction piece<br>Verkuerzung Raemwerkzeug komplett                     | ZZ933300                                    | 7-2 | Grano punta piana inox M.4x4<br>Vis speciale inox M.4x4<br>Screw stainless steel M.4x4<br>Madenschraube M.4x4  | ZZ933280                                    | 13   | Set installazione asta doccia<br>Set installation colonne de douche<br>Installation set for sliding bar<br>Installationsset für Wandstange                 | ZZ949870                                    |
| 1-5 | Placchetta maniglia BA per thermost.<br>Plaqueette croisillon BA pour thermost.<br>Cap BA handle for thermostatic mixer<br>Abdeckkappe Griff BA fuer Thermost. | ZZ935640                                    | 7-3 | Vite M.4x40 t.c. tc.<br>Vis M.4x40<br>Screw M.4x40<br>Schraube M.4x40  | ZZ926790                                    | 14   | Doccia minimale<br>Douchette minimal<br>Minimal handshower<br>Handbrause minimal<br>Soffione doccia  | DS014090                                    |
| 2   | Ghiera limitatrice di temperatura "H2"<br>Ecrou - limiteur temperat. "H2"<br>Nut - temperature device "H2"<br>Temperaturbgr-ring "H2"                          | ZZ945840                                    | 7-4 | Riduzione brocciata completa<br>Reduction avec brochage complete<br>Complete broached reduction piece<br>Verkuerzung Raemwerkzeug kompl.                           | ZZ933300                                    | 15   | Pomme de douche<br>Headshower<br>Kopfbrause  | DS016100                                    |
| 3   | Cartuccia miscelatore termostatico "H2"<br>Cartouche "H2" mural<br>Thermostatic valve-wall mount mixer "H2"<br>Thermoelement - UP - "H2"                       | ZZ970800                                    | 7-5 | Placchetta maniglia BA per thermost.<br>Plaqueette croisillon BA pour thermost.<br>Cap BA handle for thermostatic mixer<br>Abdeckkappe Griff BA fuer Thermost.     | ZZ935640                                    | 15-1 | Guarnizione fibra 18,5x11x2<br>Joint en fibre 18,5x11x2<br>Gasket rubber 18,5x11x2<br>Fiberdichtung 18,5x11x2  | ZZ927140                                    |
| 4   | Guarnizione con filtro<br>Joint avec filtre<br>Gasket with filter<br>Dichtung mit filter   | ZZ945870                                    | 8   | Guarnizione NBR 90 SH. 24x16x2<br>Joint NBR 90 SH. 24x16x2<br>Gasket NBR 90 SH. 24x16x2<br>Dichtung NBR 90 SH. 24x16x2   | ZZ926890                                    |      |  |   |

BA004080

<https://en.cisal.it/thermostatic-shower-column-2-functions-barcelona-ba004080>

2024-12-22