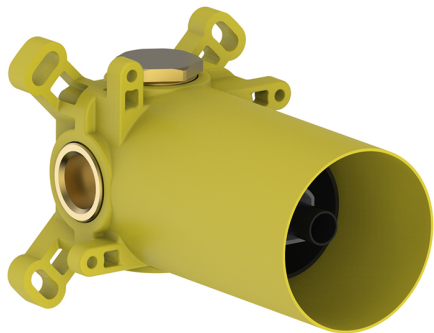


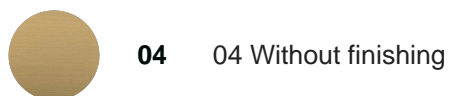
Parte empotrada Push&Shower PUSH&SHOWER_ZA0G6000

MODEL **ZA0G6000**

Push&Shower concealed valve, ON/OFF button with flow rate regulation, with protection guard box, to match with Push&Shower exposed part, without exposed part



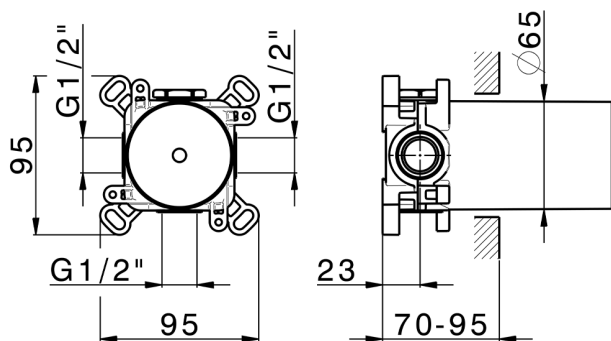
AVAILABLE FINISHINGS



CHARACTERISTICS

Cartridge Spare Parts **ZZ9F542000**

FSG VC D8 ON/OFF Valve



2026-06-13