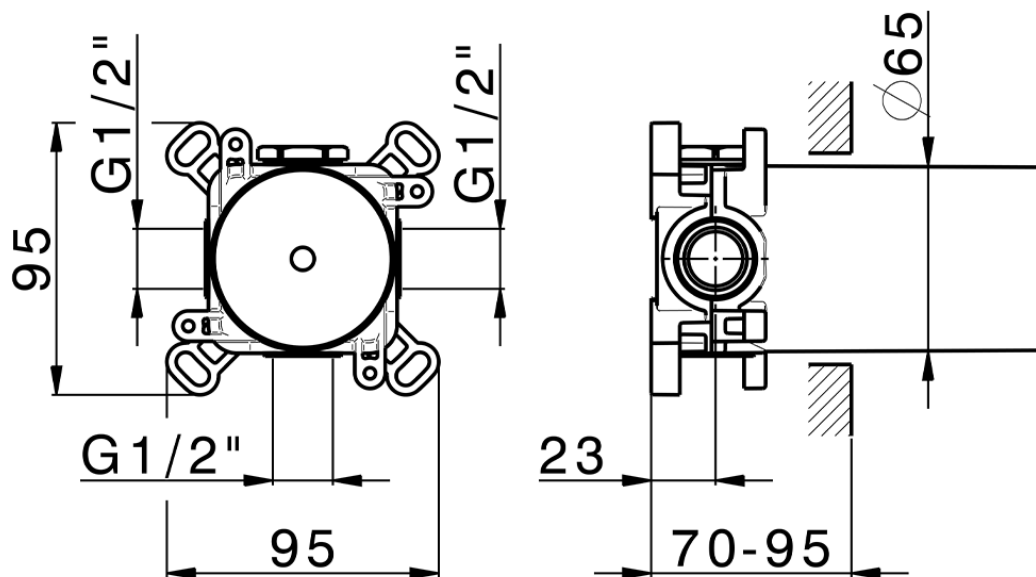


Parte empotrada Push&Shower PUSH&SHOWER_ZA0G6000

ZA0G6000

<https://en.cisal.it/parte-empotrada-pushshower-pushshower-za0g6000>

2026-04-08