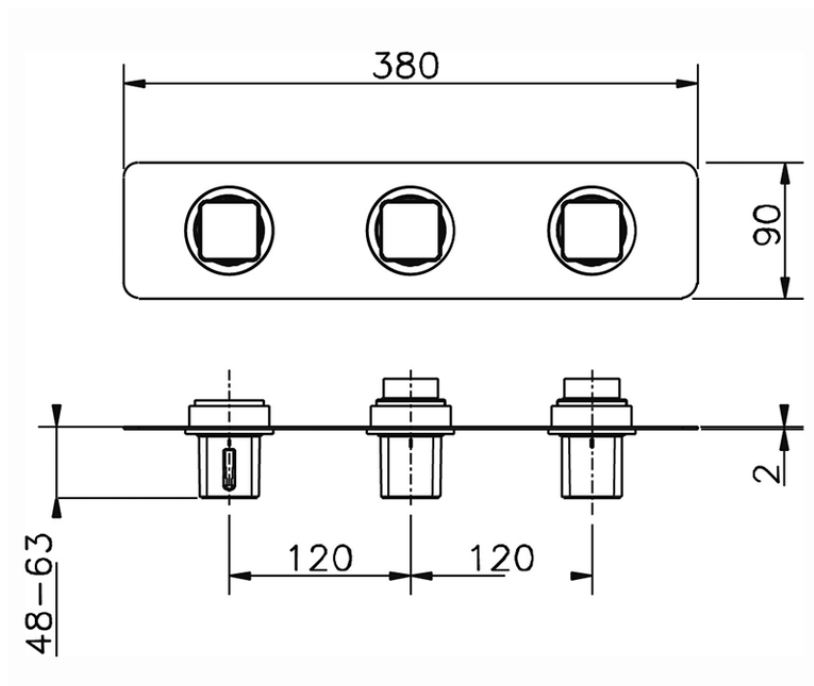


Cover Part for 2 Function Concealed Thermo. Valve CUBIC_CU01R200

CU01R200

<https://en.cisal.it/cover-part-for-2-function-concealed-thermo-valve-cubic-cu01r200>



ZA01R200

<https://en.cisal.it/2-function-concealed-thermostatic-valve-concealed-za01r200>

2026-07-03