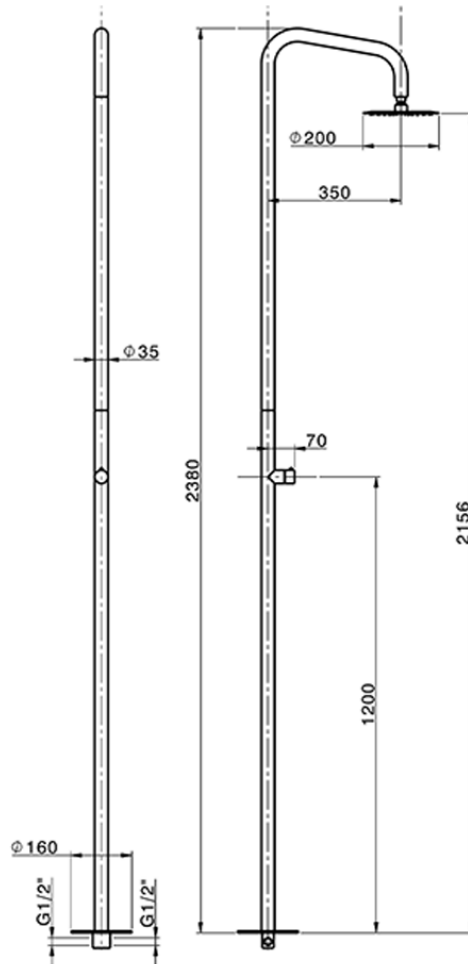


Free Standing Progressive Shower Column WELLNESS_XI005130



XI005130

<https://en.cisal.it/free-standing-progressive-shower-column-wellness-xi005130>

2026-04-26