

Extension COMPONENTS_ZA006150

MODEL **ZA006150**

Extension, for item ST000510 - ST000530 - ST000550



AVAILABLE FINISHINGS

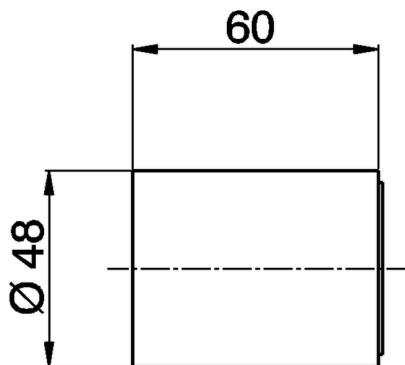


21 21 Chrome



2A 2A Satin Brushed Nickel

CHARACTERISTICS



2026-06-14