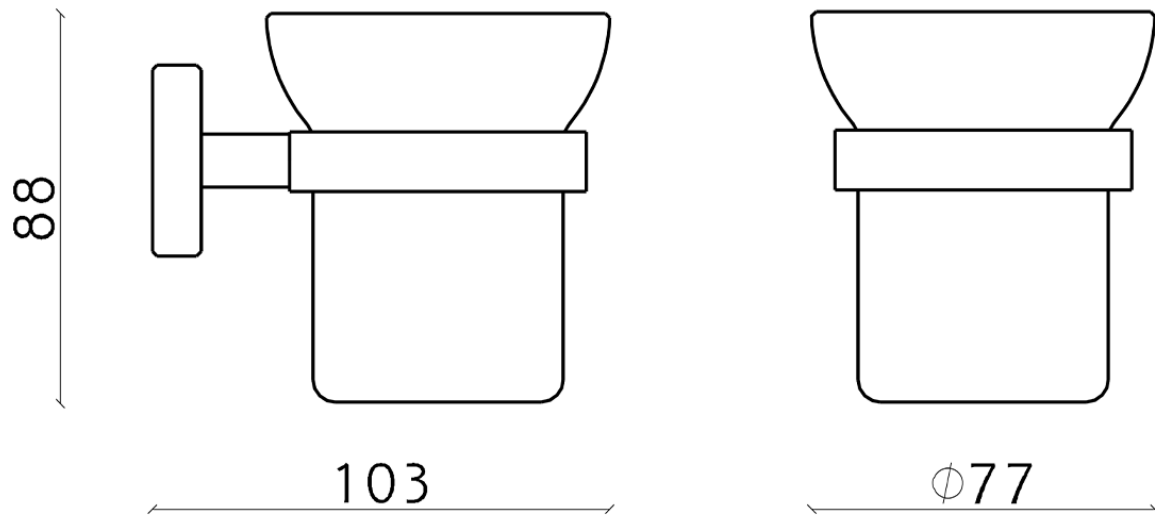


Glass holder XION_XI090501



XI090501

<https://en.cisal.it/glass-holder-xion-xi090501>

2026-06-13