

## Towel holder BATHROOM ACCESSORIES\_AE090100

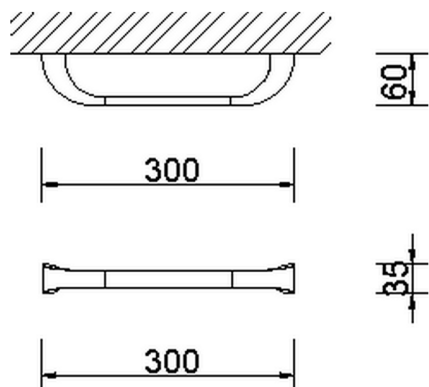
MODEL **AE090100**

Towel holder

AVAILABLE FINISHINGS



CHARACTERISTICS



2026-04-26