

## Sink mixer TR\_TR000600

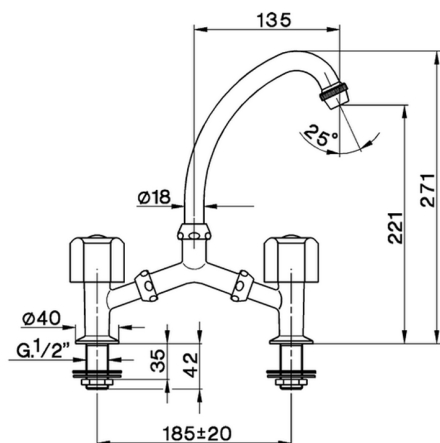
MODEL **TR000600**

Sink mixer, without automatic pop-up waste, without handles, swivel spout

AVAILABLE FINISHINGS



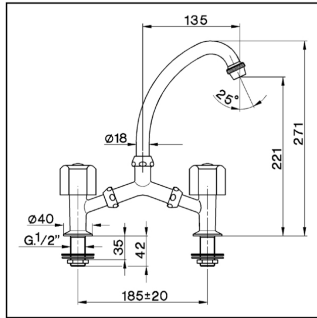
CHARACTERISTICS



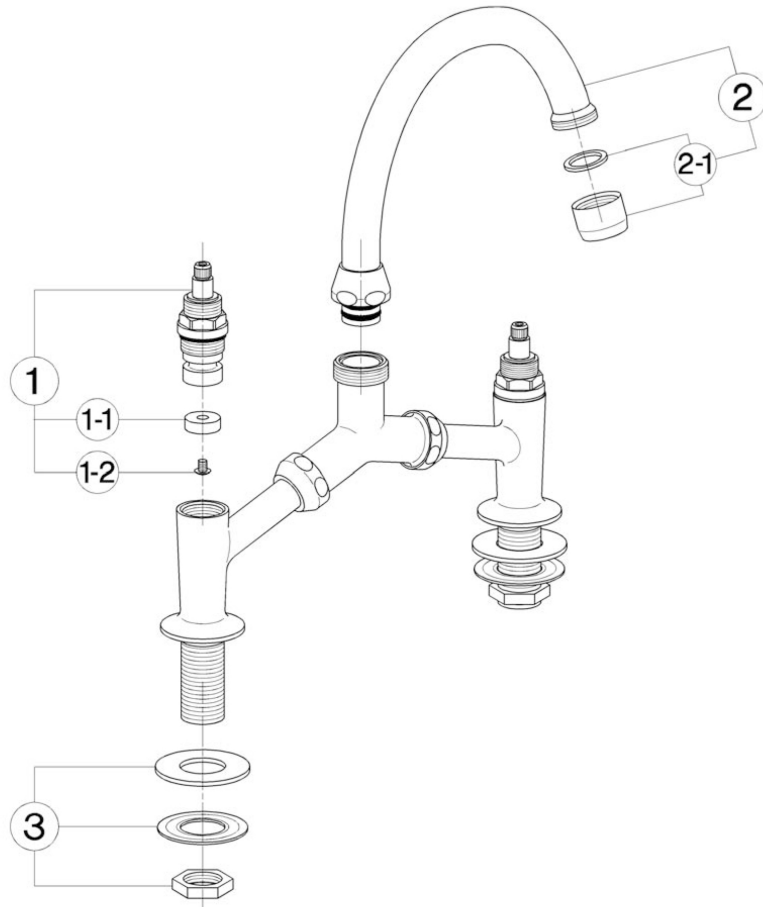
## Sink mixer TR\_TR000600

**cisal**

### TR 00060



- Gruppo a ponte
- Deck-mounted basin mixer
- Stand-Waschtiszbatterie
- Mélangeur évier sur gorge



bar	PORTATA BOCCA DI EROGAZIONE * SPOUT FLOW RATE DURCHFLOSS WÄNNENEINLAUF DEBIT BEC DÉVERSEUR l/min.
0.1	15.5
0.2	25
0.3	32.5
0.4	38.5
0.5	44
1	64

\* con rompigetto  
with antispash  
mit Strahlregler  
avec brise-jet

NR.	DESCRIZIONE DESCRIPTION BESCHREIBUNG DESCRIPTION	N. CODICE CODE NO. WERKSNR. NR. CODE	NR.	DESCRIZIONE DESCRIPTION BESCHREIBUNG DESCRIPTION	N. CODICE CODE NO. WERKSNR. NR. CODE	NR.	DESCRIZIONE DESCRIPTION BESCHREIBUNG DESCRIPTION	N. CODICE CODE NO. WERKSNR. NR. CODE
1	Vitone 1/2" "TR" Headvalve 1/2" "TR" Oberteil 1/2" "TR" Tête 1/2" "TR"	ZZ 92869 0						
1-1	Guarnizione NBR 90 SH. 16,9x5,5x5 Gasket NBR 90 SH. 16,9x5,5x5 Dichtung NBR 90 SH. 16,9x5,5x5 Joint NBR 90 SH. 16,9x5,5x5	ZZ 92699 0						
1-2	Vite M.4x4,5 tb. Ø8 l.c.r. Screw M.4x4,5 Schraube M.4x4,5 Vis M.4x4,5	ZZ 92625 0						
2	Canna alta Ø18 interasse 135 Swing spout 135 Ø18 Auslauf-Rohr-schwenkbar-135 Ø18 Bec orientable 135 Ø18	ZZ 92861 0						
2-1	Rompigetto M.22x1 Antispash M.22x1 Strahlregler M.22x1 Brise-jet M.22x1	ZZ 92771 0						
3	Set installazione rubinetto a colonna Installation set deck-mounted tap Befestigungsset Set installation	ZZ 92740 0						

TR000600

<https://en.cisal.it/sink-mixer-tr-tr000600>

2026-04-08