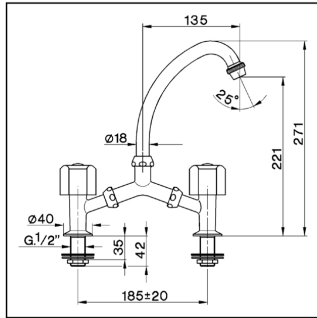


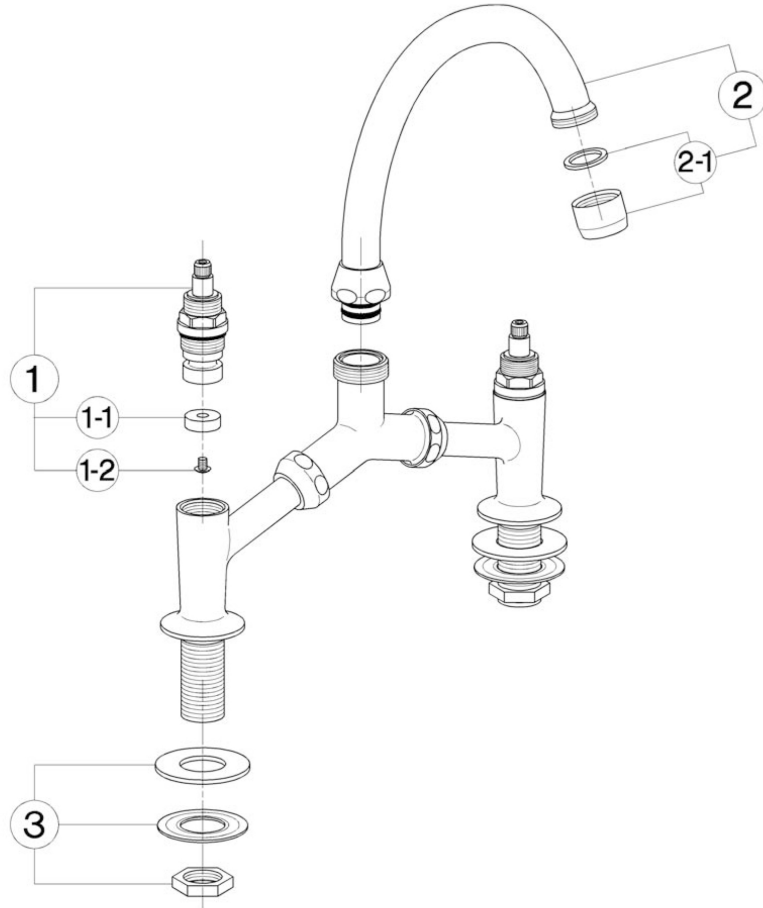
## Sink mixer TR\_TR000600

**cisal**

### TR 00060



- Gruppo a ponte
- Deck-mounted basin mixer
- Stand-Waschtiszbatterie
- Mélangeur évier sur gorge



| bar | PORTATA BOCCA DI EROGAZIONE *<br>SPOUT FLOW RATE<br>DURCHFLOSS WÄNNENEINLAUF<br>DEBIT BEC DÉVERSEUR<br>l/min. |
|-----|---|
| 0.1 | 15.5  |
| 0.2 | 25  |
| 0.3 | 32.5  |
| 0.4 | 38.5  |
| 0.5 | 44  |
| 1   | 64  |

\* con rompigetto  
with antispash  
mit Strahlregler  
avec brise-jet

| NR. | DESCRIZIONE<br>DESCRIPTION<br>BESCHREIBUNG<br>DESCRIPTION  | N. CODICE<br>CODE NO.<br>WERKSNR.<br>NR. CODE | NR. | DESCRIZIONE<br>DESCRIPTION<br>BESCHREIBUNG<br>DESCRIPTION | N. CODICE<br>CODE NO.<br>WERKSNR.<br>NR. CODE | NR. | DESCRIZIONE<br>DESCRIPTION<br>BESCHREIBUNG<br>DESCRIPTION | N. CODICE<br>CODE NO.<br>WERKSNR.<br>NR. CODE |
|-----|--|---|-----|---|---|-----|---|---|
| 1   | Vitone 1/2" "TR"<br>Headvalve 1/2" "TR"<br>Oberteil 1/2" "TR"<br>Tête 1/2" "TR"  | ZZ 92869 0                                    |     |   |   |     |   |   |
| 1-1 | Guarnizione NBR 90 SH. 16,9x5,5x5<br>Gasket NBR 90 SH. 16,9x5,5x5<br>Dichtung NBR 90 SH. 16,9x5,5x5<br>Joint NBR 90 SH. 16,9x5,5x5 | ZZ 92699 0                                    |     |   |   |     |   |   |
| 1-2 | Vite M.4x4,5 tb. Ø8 l.c.r.<br>Screw M.4x4,5<br>Schraube M.4x4,5<br>Vis M.4x4,5   | ZZ 92625 0                                    |     |   |   |     |   |   |
| 2   | Canna alta Ø18 interasse 135<br>Swinging spout 135 Ø18<br>Auslauf-Rohr-schwenkbar-135 Ø18<br>Bec orientable 135 Ø18                | ZZ 92861 0                                    |     |   |   |     |   |   |
| 2-1 | Rompigetto M.22x1<br>Antispash M.22x1<br>Strahlregler M.22x1<br>Brise-jet M.22x1   | ZZ 92771 0                                    |     |   |   |     |   |   |
| 3   | Set installazione rubinetto a colonna<br>Installation set deck-mounted tap<br>Befestigungsset<br>Set installation                  | ZZ 92740 0                                    |     |   |   |     |   |   |

TR000600

<https://en.cisal.it/sink-mixer-tr-tr000600>

2026-06-13