





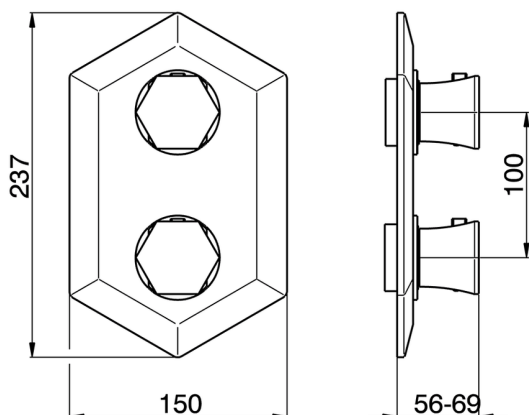
Exposed part for con.thermo.shower mixer, 2-outlet **CHERIE_CE019100**

MODEL **CE019100**

Exposed part for con.thermo.shower mixer, 2-outlet, with 2 outlet deviator, without concealed part, for item ZA019100

AVAILABLE FINISHINGS

-  **21** 21 Chrome
-  **24** 24 Gold
-  **2B** 2B Polished Nickel
-  **2P** 2P Rose Gold



CHARACTERISTICS

Installation **Concealed**
 Required concealed parts **ZA019100**

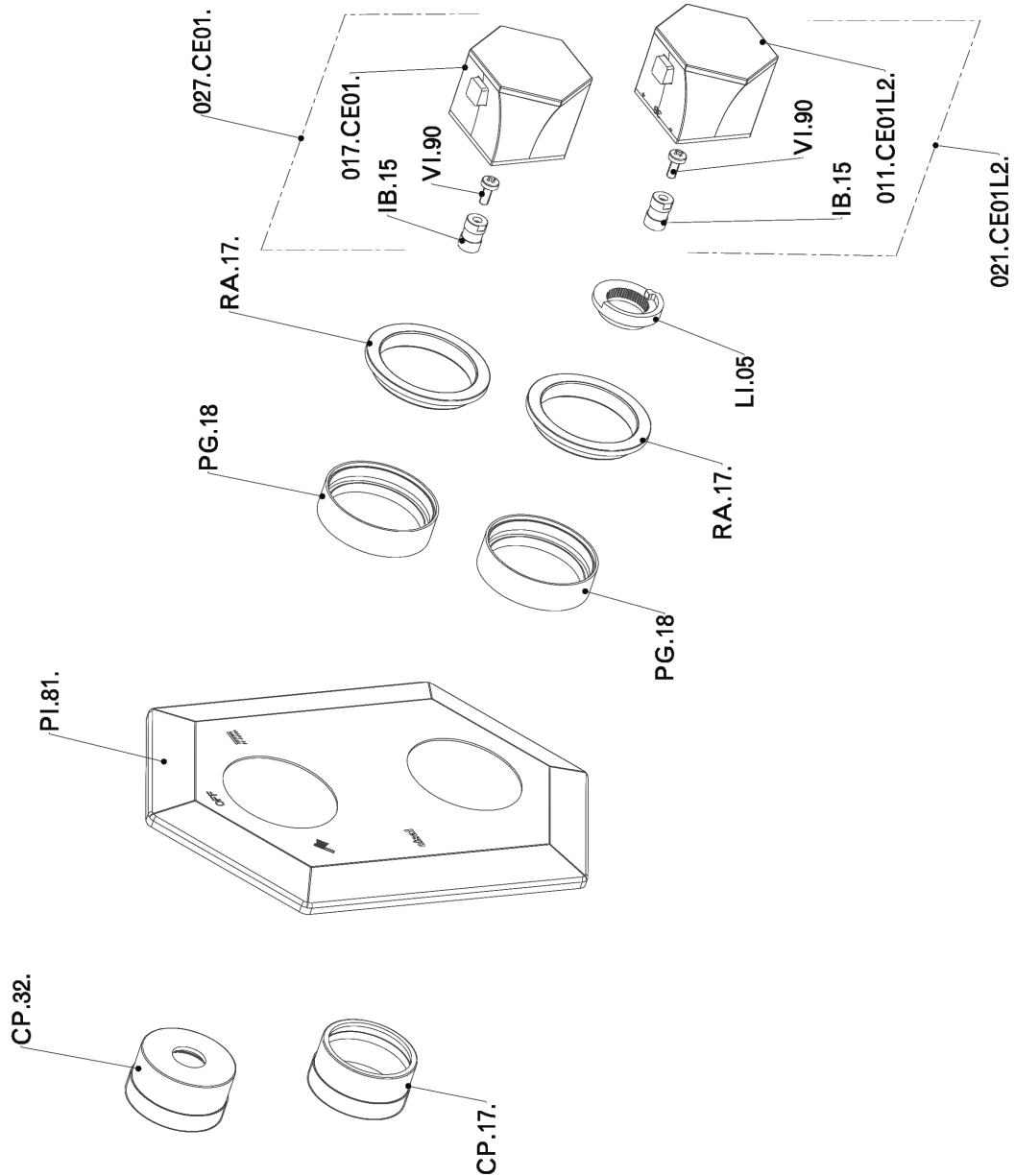


Thermostatic

The Cisal thermostatic is your personal water manager, helping you to handle, control and save water and energy.



Exposed part for con.thermo.shower mixer, 2-outlet CHERIE_CE019100



CE019100

<https://en.cisal.it/exposed-part-for-con-thermo-shower-mixer-2-outlet-cherie-ce019100>

Concealed thermostatic shower mixer, 2-outlets CONCEALED_ZA019100

MODEL **ZA019100**

Concealed thermostatic shower mixer, 2-outlets, with 1/2" 2 outlet devia stop cartridge, without trim kit

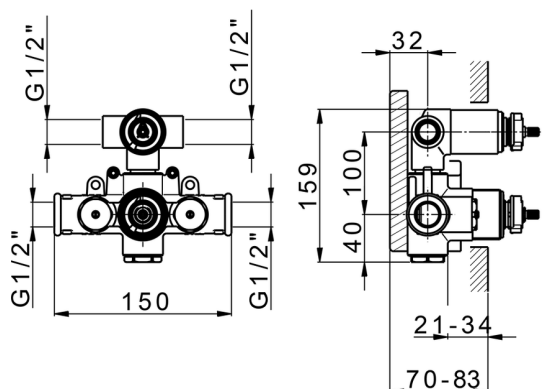


AVAILABLE FINISHINGS



CHARACTERISTICS

Concealed **1**
 Cartridge Spare Parts **24.04A.PP**
8x20 Plus P Thermostatic Valve



DeviaStop

The Cisal Devia Stop technology allows to adjust the water flow and to direct it to the selected output point (overhead soaker, hand shower, etc).



Thermostatic

The Cisal thermostatic is your personal water manager, helping you to handle, control and save water and energy.



2026-04-30