

Bath mixer, full equipment TR_TR000120

MODEL **TR000120**

Bath mixer, full equipment, wall mounted adjustable handshower bracket, Globo D.63 mm ABS one spray handshower, 150 cm Brass Flexible Hose, without handles

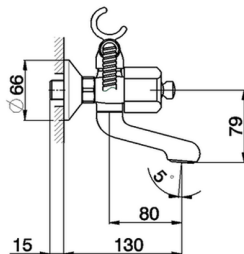
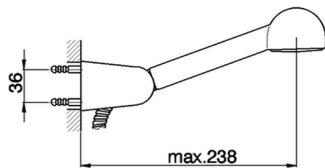


AVAILABLE FINISHINGS



21 21 Chrome

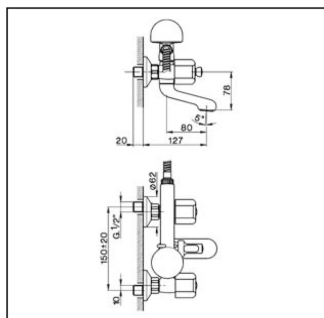
CHARACTERISTICS



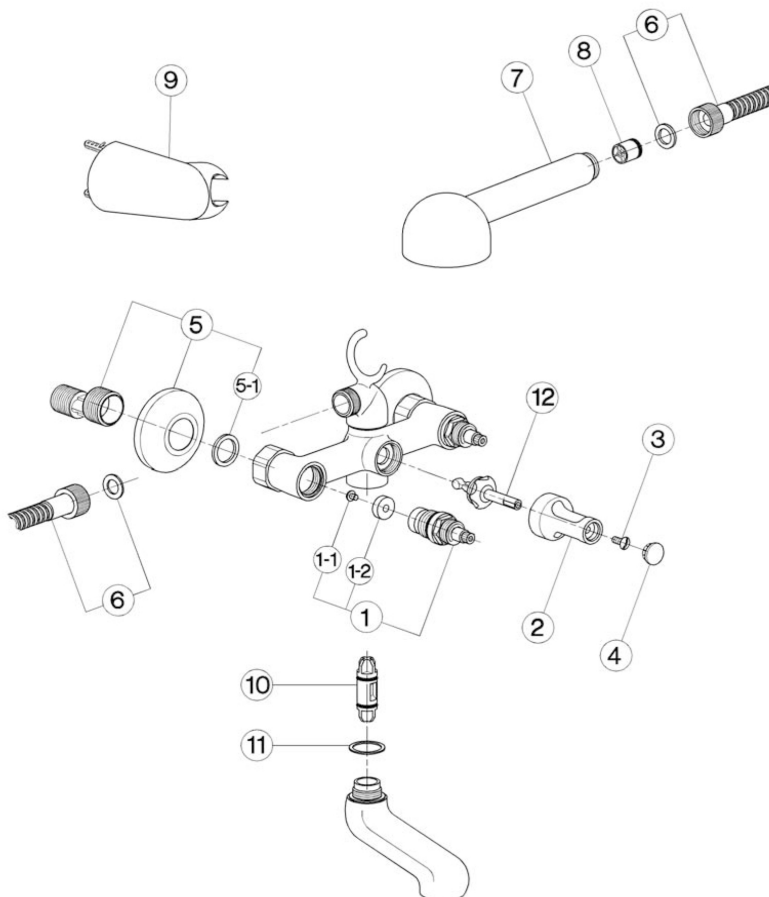
Bath mixer, full equipment TR_TR000120

cisal

TR 00010 (TR 00012 - TR 00013)



- Gruppo vasca
- Bath mixer
- Badebatterie
- Mélangeur bain/douche



bar	PORTATA BOCCA DI EROGAZIONE * SPOUT FLOW RATE DURCHFLOSS WANNENEINLAUF DEBIT BEC DÉVERSEUR l/min.
0.1	18.5
0.2	27
0.3	35
0.4	40
0.5	47
1	/

* con rompigetto
with antispash
mit Strahlregler
avec brise-jet

NR.	DESCRIZIONE DESCRIPTION BESCHREIBUNG DESCRIPTION	N. CODICE CODE NO. WERKSNR. NR. CODE	NR.	DESCRIZIONE DESCRIPTION BESCHREIBUNG DESCRIPTION	N. CODICE CODE NO. WERKSNR. NR. CODE	NR.	DESCRIZIONE DESCRIPTION BESCHREIBUNG DESCRIPTION	N. CODICE CODE NO. WERKSNR. NR. CODE
1	Vitone 1/2" "TR" Headvalve 1/2" "TR" Oberteil 1/2" "TR" Tête 1/2" "TR"	ZZ 92869 0	5	Eccentrico con rosone Eccentric connection with escutcheon S - Anschluss m Rosette Eccentrique + rosace	ZZ 92730 0	10	Valvola deviazione per gruppo vasca "TR" Diverting valve for bath mixer "TR" Umstellungsventil "TR" Tête pour inverseur "TR"	ZZ 92768 0
1-1	Vite M.4x4,5 tb. Ø8 t.c. Screw M.4x4,5 Schraube M.4x4,5 Vis M.4x4,5	ZZ 92625 0	5-1	Guarnizione NBR 90 SH. 24x16x2,7 Gasket NBR 90 SH. 24x16x2,7 Dichtung NBR 90 SH. 24x16x2,7 Joint NBR 90 SH. 24x16x2,7	ZZ 92689 0	11	Guarnizione alluminio 26x21,1x1 Gasket aluminium 26x21,1x1 Dichtung 26x21,1x1 Joint aluminium 26x21,1x1	ZZ 92686 0
1-2	Guarnizione NBR 90 SH. 16,9x5,5x5 Gasket NBR 90 SH. 16,9x5,5x5 Dichtung NBR 90 SH. 16,9x5,5x5 Joint NBR 90 SH. 16,9x5,5x5	ZZ 92699 0	6	Flessibile 150 cm Ø14 1/2" x1/2" Flex 150 cm Ø14 1/2" x1/2" Brauseschlauch 150 cm Ø14 1/2" x1/2" Flex 150 cm Ø14 1/2" x1/2"	ZA 00900 0	12	Parte interna deviatore gruppo vasca "TR" Valve for diverter Umst. f/TR Badebatt. Innenenteil o/Vorderteil Corp inverseur B/D "TR"	ZZ 92253 0
2	Deviatore per gruppo vasca "TR" Diverter for bath mixer "TR" Umsteller - WB - "TR" Croisillon inverseur "TR"	ZZ 92685 0	7	Doccia Globo Handshower Globo Handbrause Globo Douchette Globo	DS 01402 0			
3	Vite M.4,5x10 tb. tc. zigrinata Screw M.4,5x10 Schraube M.4,5x10 Vis M.4,5x10	ZZ 92609 0	8	Valvola anti-riforno Ø15 per doccia Back-flow valve Ø15 Durchflussverhinderer Ø15 Clapet anti-retour Ø15	ZZ 92956 0			
4	Piacchetta a scatto deviatore vasca "TR" Cap for diverter "TR" Abdeckkappe "TR" Plaquette cache - vis inverseur "TR"	ZZ 92610 0	9	Supporto duplex esterno Hook for handshower Wandhalter Support mural	DS 00050 0			

TR000120_{TR.3}

<https://en.cisal.it/bath-mixer-full-equipment-tr-tr000120>

2026-06-13