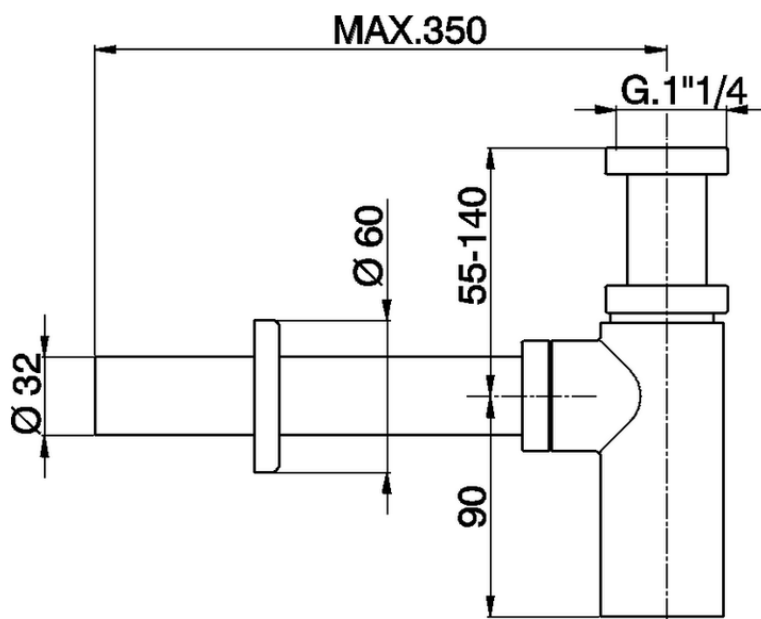


1 1/4 Minimal siphon COMPONENTS_ZA004042

ZA004042

<https://en.cisal.it/11-4-minimal-siphon-components-za004042>

2026-05-20