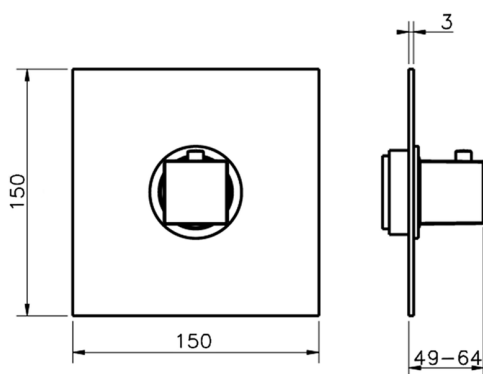


Exposed part for concealed thermo shower valve ROADSTER ACCENT_RA007200



MODEL **RA007200**

Exposed part for concealed thermo shower valve, without stop valve, without concealed part, for item ZA007220

AVAILABLE FINISHINGS

-  **21** 21 Chrome
-  **2B** 2B Polished Nickel
-  **2F** 2F Brushed Nickel
-  **2Q** 2Q Black Titanium
-  **40** 40 Matt Black
-  **4Q** 4Q Matt White

CHARACTERISTICS

Installation **Concealed**
 Required concealed parts **ZA007220**



Thermostatic

The Cisal thermostatic is your personal water manager, helping you to handle, control and save water and energy.



3/4" Concealed thermostatic valve CONCEALED_ZA007220

MODEL **ZA007220**

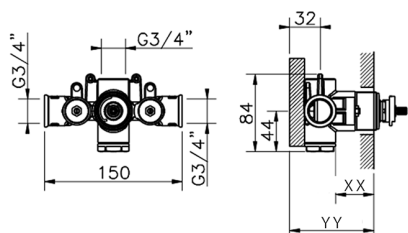
3/4" Concealed thermostatic valve, without
Stopvalve, without trim kit

AVAILABLE FINISHINGS



CHARACTERISTICS

Concealed **1**
Cartridge Spare Parts **23.51A.HF**
HF Thermostatic Valve



Piastra/Plate/Plaque/Platte/Placa
2-3mm: XX 25-40 YY 76-91
10mm: XX 16-31 YY 65-80



Thermostatic

The Cisal thermostatic is your personal water manager, helping you to handle, control and save water and energy.



2026-04-10