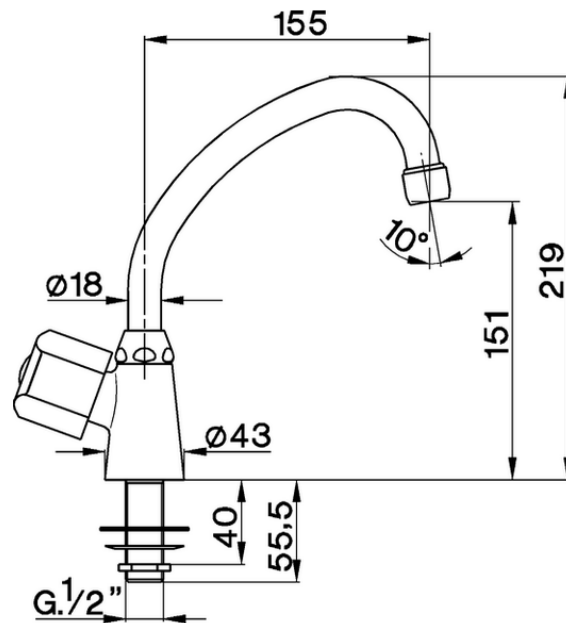


## Pillar tap TR\_TR000746



TR000746

<https://en.cisal.it/pillar-tap-tr-tr000746>

2026-04-28