

1/2" stopvalve concealed part CONCEALED_ZA003320

MODEL **ZA003320**

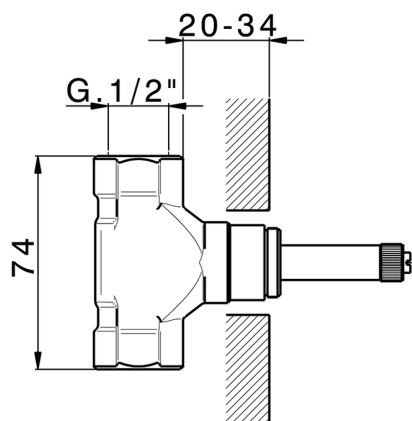
1/2" stopvalve concealed part, opening counterclockwise

AVAILABLE FINISHINGS

 **04** 04 Without finishing

CHARACTERISTICS

Concealed **1**



2026-06-13