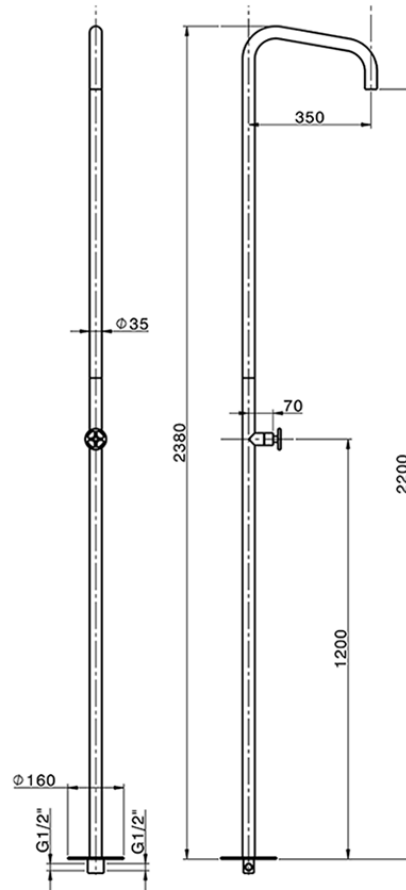


Free Standing Progressive Shower Column WELLNESS_MR005120



MR005120

<https://en.cisal.it/free-standing-progressive-shower-column-wellness-mr005120>

2026-04-26