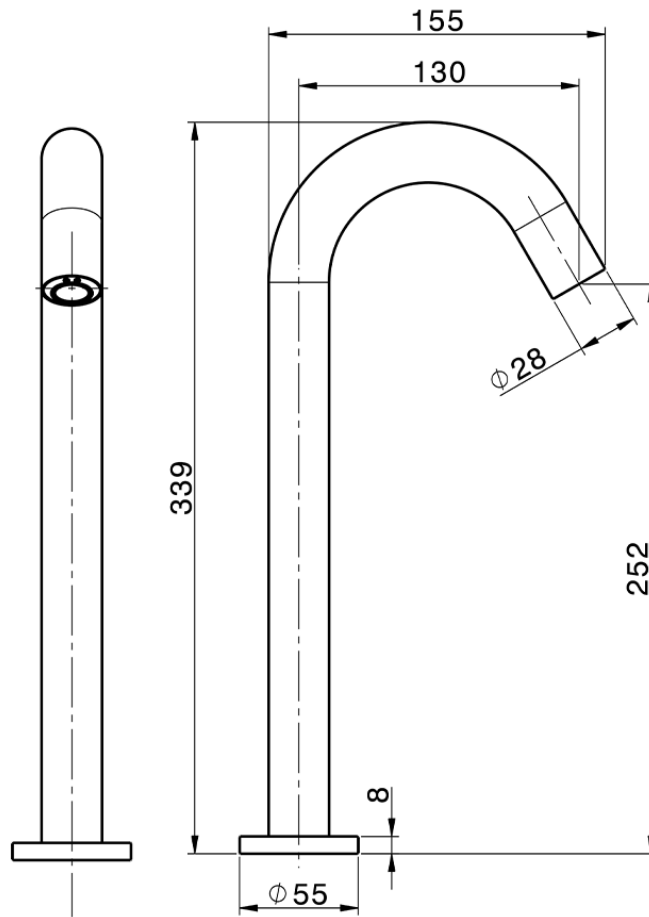


Electronic pillar tap TRONIC_TN000930



TN000930

<https://en.cisal.it/electronic-pillar-tap-tronic-tn000930>

2026-06-08