

Single lever sink mixer CLINIC_CL000580

MODEL **CL000580**

Single lever sink mixer, swivel spout, G.3/8" stainless steel flexible hoses

AVAILABLE FINISHINGS

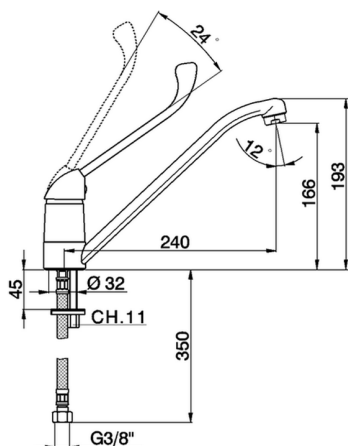


21 21 Chrome

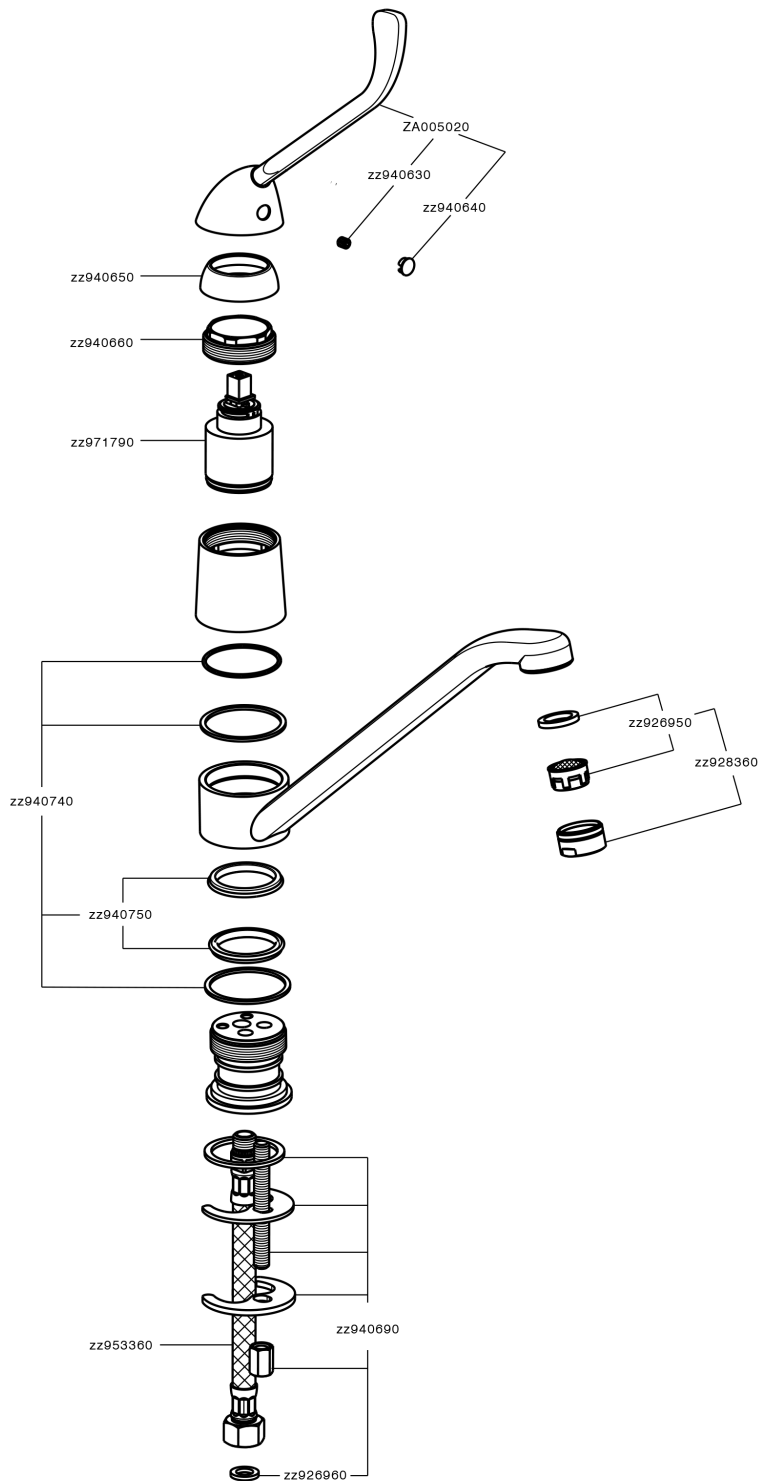
CHARACTERISTICS

Cartridge Spare Parts **ZZ94035000**

35 mm Cartridge



Single lever sink mixer CLINIC_CL000580



CL000580

<https://en.cisal.it/single-lever-sink-mixer-clinic-cl000580>

2026-04-28