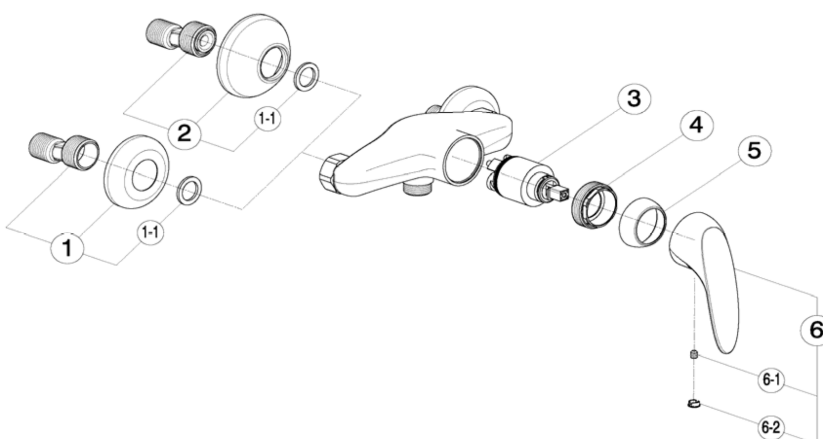
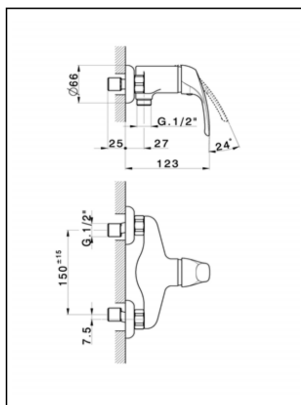


Single lever shower mixer FLASH_FL000440

cisal

FL 00044



NR.	DESCRIZIONE DESCRIPTION BESCHREIBUNG DESCRIPTION	N.CODICE CODE NO. WERSKNR. NR.CODE	NR.	DESCRIZIONE DESCRIPTION BESCHREIBUNG DESCRIPTION	N.CODICE CODE NO. WERSKNR. NR.CODE	NR.	DESCRIZIONE DESCRIPTION BESCHREIBUNG DESCRIPTION	N.CODICE CODE NO. WERSKNR. NR.CODE
1	Eccentrico con rosone Excentric connection with escutcheon S - Anschluss m.Rosette Excentrique + rosace	ZZ927300	6	Leva monocomando "FL" Lever "FL" Hebel "FL" Levier "FL"	ZZ940780			
1-1	Guarnizione NBR 90 SH. 24x16x2,7 Gasket NBR 90 SH. 24x16x2,7 Dichtung NBR 90 SH. 24x14x2,7 Joint NBR 90 SH. 24x14x2,7	ZZ926890	6-1	Grano punta coppa inox M5x6 Screw-stainless steel M5x6 Madenschraube M.5x6 Vis speciale inox M5x6	ZZ940630			
2	Eccentrico con rosone Excentric connection with escutcheon S - Anschluss m.Rosette Excentrique + rosace	ZZ928480	6-2	Placchetta per leva Cap for lever Abdeckkappe f/Hebel Plaquette levier	ZZ927100			
3	Cartuccia monocomando Mixing valve Kartusche Cartouche mitigeurs	ZZ940340						
4	Calotta bloccaggio cartuccia Nut for mixing valve Mutter f/kartusche Ecrou pour cartouche	ZZ940660						
5	Copricartuccia senza ideogrammi Escutcheon cartridge without ideogram Abdeckkappe ohne Ideogramm Couvre-cartouche sans ideogramme	ZZ940650						

FL000440

<https://en.cisal.it/single-lever-shower-mixer-flash-fl000440>

2026-06-13