

Single lever washbasin mixer TENDER_C2000510



MODEL **C2000510**

Single lever washbasin mixer, with automatic 1"1/4 automatic pop-up waste, G.3/8" stainless steel flexible hoses

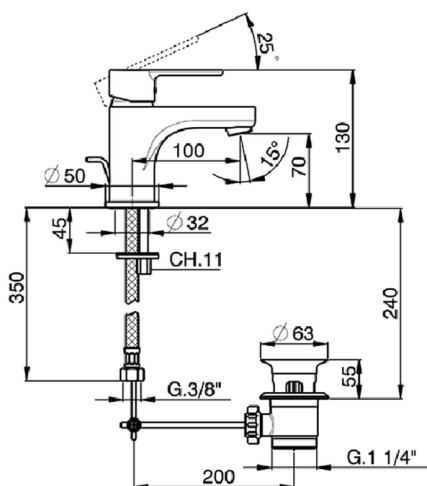
AVAILABLE FINISHINGS



CHARACTERISTICS

Cartridge Spare Parts **ZZ95435000**

35 mm Cartridge

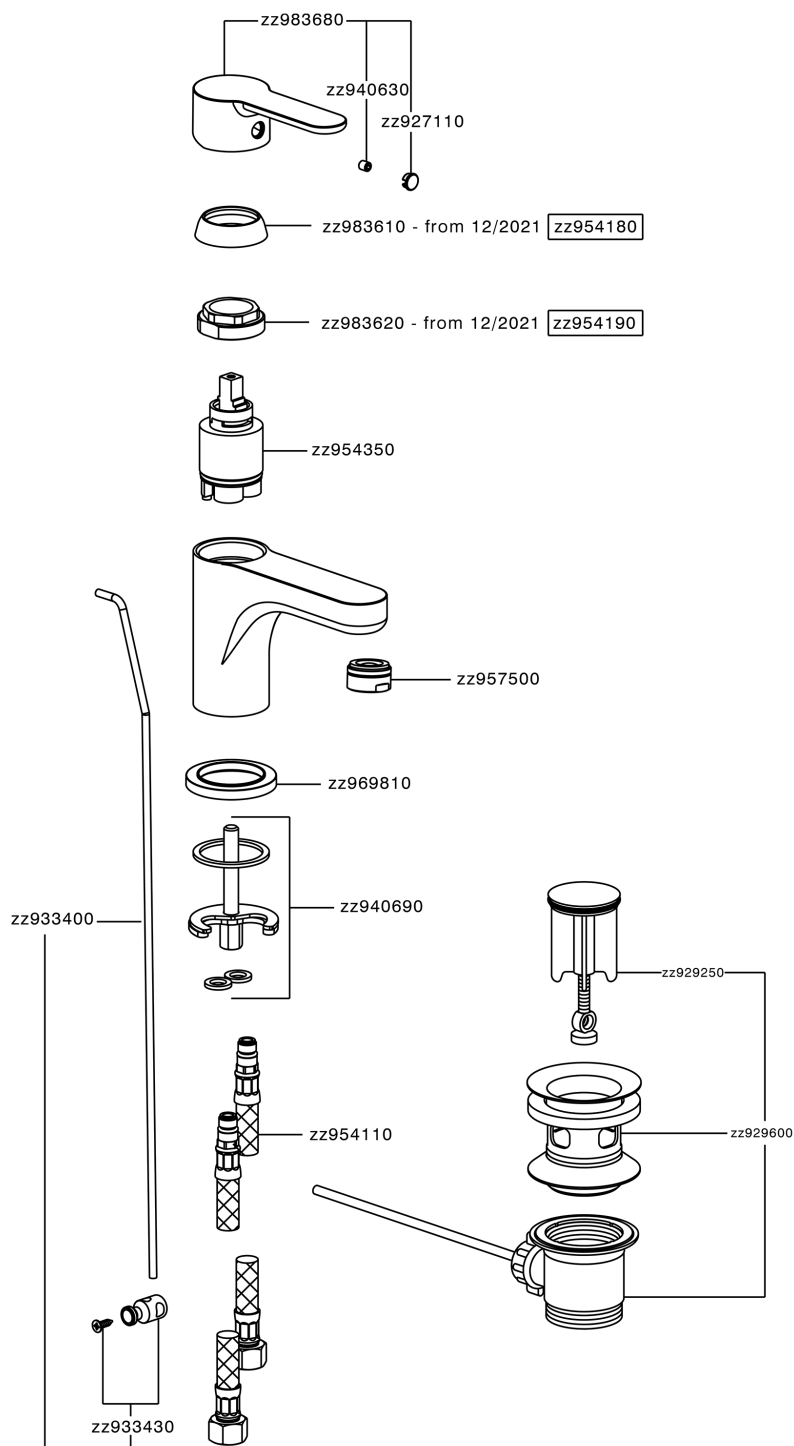


EcoStop

EcoStop feature limits water flow to approximately 50% of maximum output with one point of resistance on setting. Push slightly past the middle stop only when full water output is required. This will save water up to 50%.



Single lever washbasin mixer TENDER_C2000510



C2000510

<https://en.cisal.it/single-lever-washbasin-mixer-tender-c2000510>

2026-06-13