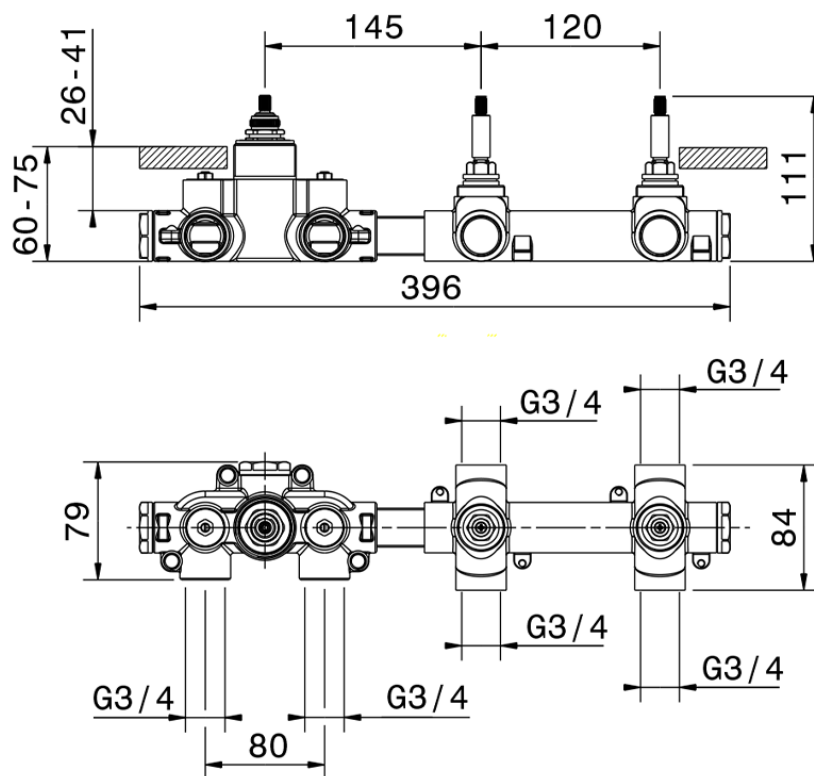


2 Function Concealed Thermostatic Valve CONCEALED_ZA00R200



ZA00R200

<https://en.cisal.it/2-function-concealed-thermostatic-valve-concealed-za00r200>

2026-06-14