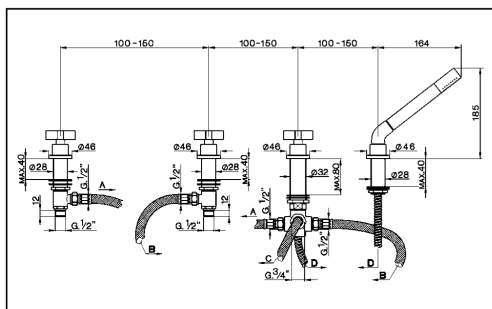


Deck-mounted 4-hole bath mixer BARCELONA_BA000290

cisal

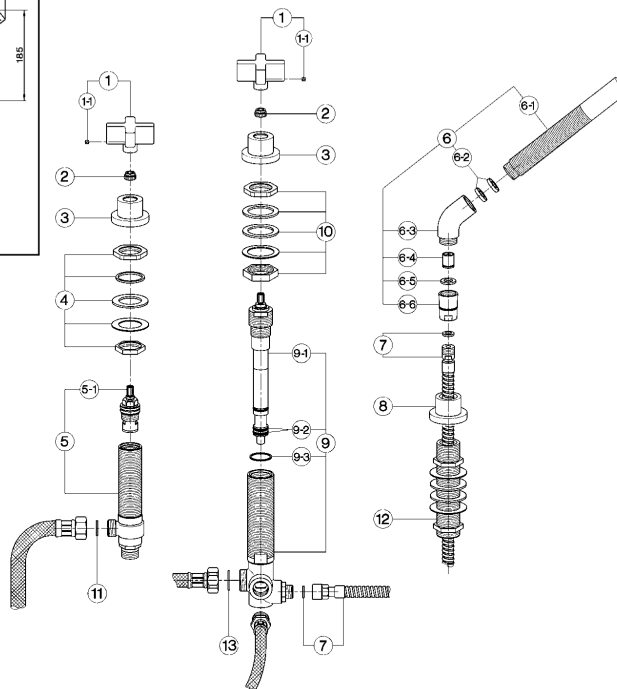
BA 00029



- Batteria bordo vasca a 4 fori
- Deck-mounted 4-hole bath mixer
- 4 Loch - Badebatterie
- Mélangeur B/D 4-trous sur gorge

bar	PORTATA * FLOW RATE DURCHFLOSS DEBIT l/min.
0,5	14
1	20
2	29
3	35.5
4	41
5	46.5

* senza resistenza silenziosa (uscita libera)
without hydraulic resistance
ohne Widerstand
sans résistance hydraulique



NR.	DESCRIZIONE DESCRIPTION BESCHREIBUNG DESCRIPTION	N. CODICE CODE NO. WERKSNR. NR. CODE	NR.	DESCRIZIONE DESCRIPTION BESCHREIBUNG DESCRIPTION	N. CODICE CODE NO. WERKSNR. NR. CODE	NR.	DESCRIZIONE DESCRIPTION BESCHREIBUNG DESCRIPTION	N. CODICE CODE NO. WERKSNR. NR. CODE
1	Maniglia "BA" per monofori Handle "BA" for single hole mixer Griff "BA" f/ Einloch-Batterien Croisillon "BA" pour mélangeur monotrou	ZZ 93289 0	6-2	Guarnizione NBR 75 SH. 19,1x10x3,5 Gasket NBR 75 SH. 19,1x10x3,5 Dichtung NBR 75 SH. 19,1x10x3,5 Joint NBR 75 SH. 19,1x10x3,5	ZZ 92715 0	9-2	O.R. 11 NBR 75 SH. O.R. 11 NBR 75 SH. O.R. 11 NBR 75 SH. O.R. 11 NBR 75 SH.	ZZ 92690 0
1-1	Grano punta piastra inox M.4x4 Screw-stainless steel M.4x4 Madenschraube M.4x4 Vis speciale inox M.4x4	ZZ 93328 0	6-3	Curvetta doccia batteria vasca Brausewinkel f/WB Raccord douche s/gorge	ZZ 92601 0	9-3	Guarnizione fibra 27x24x1 Gasket rubber 27x24x1 Fiberdichtung 27x24x1 Joint en fibre rouge 27x24x1	ZZ 92687 0
2	Riduzione brocciata completa Complete broached reduction piece Verkuerzung Raemwerkzeug komplett Reduction avec brochage complete	ZZ 93330 0	6-4	Valvola anti-retorno Ø15 per doccia Back-flow valve Ø15 Durchflussverhinderer Ø15 Clapet anti-retour Ø15	ZZ 92956 0	10	Set installazione deviatore batteria vasca Installation set Befestigungssatz f/Umsteller Wannenrandmitg Set installation inverseur B/D	ZZ 93444 0
3	Cappuccio per batteria lavabo Escutcheon for basin mixer Abdeckkappe - WT Rosace lavabo	ZZ 93333 0	6-5	Guarnizione fibra 18,5x11x2 Gasket rubber 18,5x11x2 Fiberdichtung 18,5x11x2 Joint en fibre 18,5x11x2	ZZ 92714 0	11	Guarnizione fibra 18,5x11x2 Gasket rubber 18,5x11x2 Fiberdichtung 18,5x11x2 Joint en fibre 18,5x11x2	ZZ 92714 0
4	Set installazione batteria lavabo Installation set basin mixer Befestigungssatz Set installation	ZZ 93348 0	6-6	Raccordo conico doccia batteria vasca Connection for shower Anschluss Raccord douche s/gorge	ZZ 92680 0	12	Supporto doccia batteria bordo vasca "BA" Deck-mounted handshower support "BA" Brausehalter "BA" Support douche "BA"	ZZ 93402 0
5	Piantana vitone DX Tail piece-basin mixer right Unterteil WT m/ Oberteil rechts Corp. lat. fix. tête droite	ZZ 92888 0	7	Flessibile 175 cm Ø14 3/8" x M.15x1 Flex 175 cm Ø14 3/8" M.15x1 Brauseschlauch 175 cm Ø14 3/8" x M.15x1 Flex 175 cm Ø14 3/8" x M.15x1	ZZ 92757 0	13	Guarnizione NBR 90 SH. 24x16x2,7 Gasket NBR 90 SH. 24x16x2,7 Dichtung NBR 90 SH. 24x16x2,7 Joint NBR 90 SH. 24x16x2,7	ZZ 92689 0
5-1	Vitone ceramico 1/2" DX 90° Ceramic headvalve 1/2" right 90° Keramikoberteil 1/2" - rechts - 90° Tête céram. 1/2" droite 90°	ZZ 92907 0	8	Cappuccio supporto doccia batteria vasca Escutcheon shower Abdeckkappe Rosace douche	ZZ 93367 0			
6	Doccia minimale per batteria vasca Handshower minimal for bath mixer Handbrause minimal f/Badebatterie Douchette minimal sur gorge	ZZ 93368 0	9	Gruppo deviazione batteria bordo vasca "BA" Diverter for bath mixer "BA" Umsteller f/Wannenbatterie "BA" Inverseur - B/D "BA"	ZZ 93369 0			
6-1	Doccia minimale Minimal handshower Handbrause minimal Douchette minimal	DS 01409 0	9-1	Vitone deviazione batteria vasca "BA" Diverting valve for "BA" mixer Umstelloberteil "BA" Tête pour inverseur "BA"	ZZ 93370 0			

BA.6

BA000290

<https://en.cisal.it/deck-mounted-4-hole-bath-mixer-barcelona-ba000290>

2026-03-17