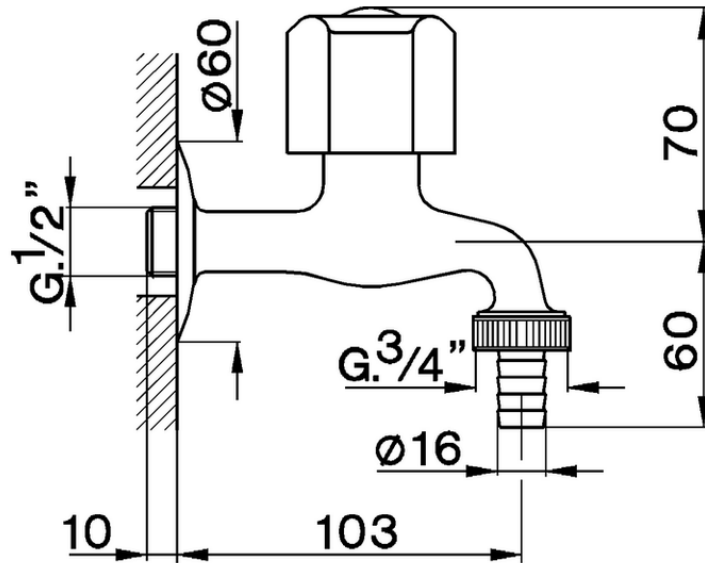


Exposed simple tap TR_TR001500



TR001500

<https://en.cisal.it/exposed-simple-tap-tr-tr001500>

2026-06-08