

Single lever 'large' washbasin mixer ALMA_A3000490

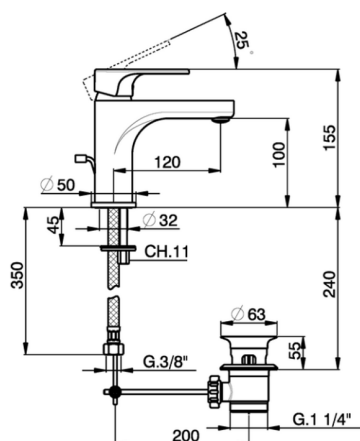


MODEL **A3000490**

Single lever 'large' washbasin mixer, with automatic 1"1/4 automatic pop-up waste, G.3/8" stainless steel flexible hoses

AVAILABLE FINISHINGS

-  **21** 21 Chrome
-  **2F** 2F Brushed Nickel
-  **40** 40 Matt Black



CHARACTERISTICS

Cartridge Spare Parts **ZZ95435000**

35 mm Cartridge

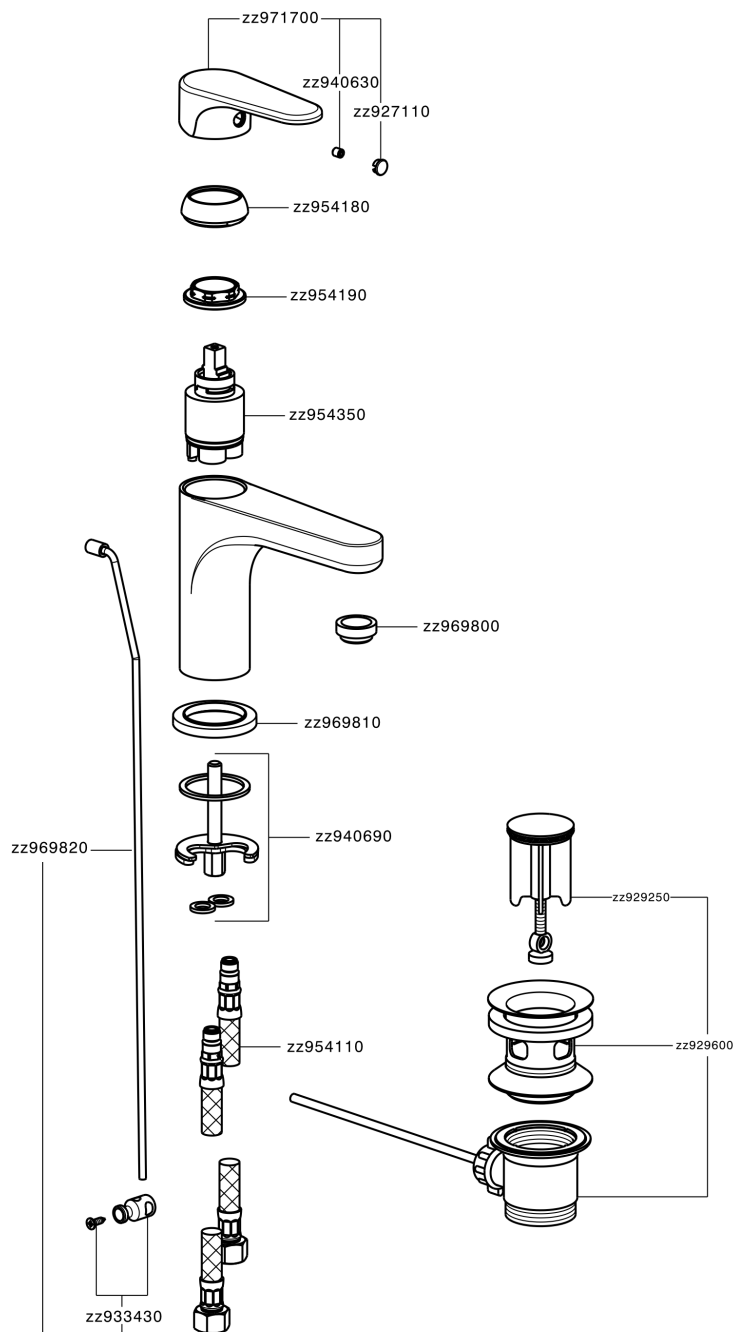


EcoStop

EcoStop feature limits water flow to approximately 50% of maximum output with one point of resistance on setting. Push slightly past the middle stop only when full water output is required. This will save water up to 50%.



Single lever 'large' washbasin mixer ALMA_A3000490



A3000490

<https://en.cisal.it/single-lever-large-washbasin-mixer-alma-a3000490>

2026-04-30