

Deck-mounted 4-hole bath mixer ARCANA CERAMIC_AC000290

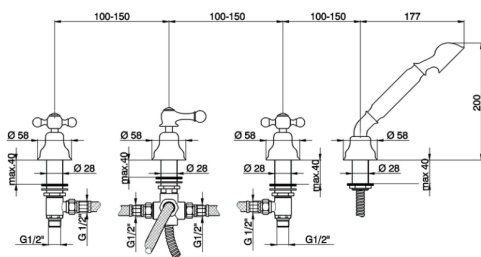
MODEL **AC000290**

Deck-mounted 4-hole bath mixer, automatic diverter, Arcana one spray handshower, 175 cm Brass flexible hose



AVAILABLE FINISHINGS

-  **21** 21 Chrome
-  **24** 24 Gold
-  **26** 26 Old Copper
-  **27** 27 Old Bronze
-  **74** 74 Chrome/Gold



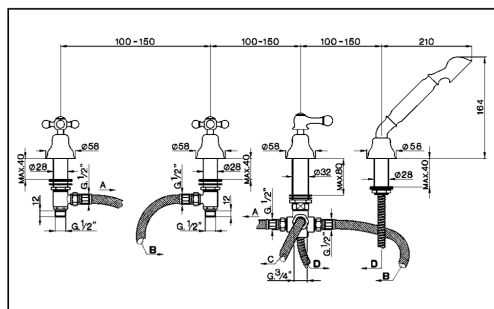
CHARACTERISTICS



Deck-mounted 4-hole bath mixer ARCANA CERAMIC_AC000290

cisal

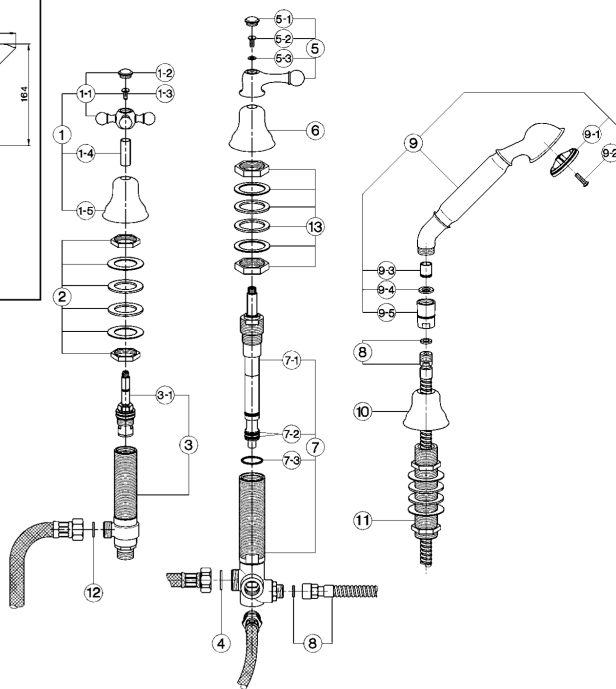
AC 00029



- Batteria bordo vasca a 4 fori
- Deck-mounted 4-hole bath mixer
- Brausebatterie - 4 Loch -
- Mélangeur B/D 4-trous sur gorge

bar	PORTATA * FLOW RATE DURCHFLOSS DEBIT l/min.
0,5	14
1	20
2	29
3	35,5
4	41
5	46,5

* senza resistenza silenziosa (uscita libera)
without hydraulic resistance
ohne Widerstand
sans résistance hydraulique



NR.	DESCRIZIONE DESCRIPTION BESCHREIBUNG DESCRIPTION	N. CODICE CODE NO. WERKSNR. NR. CODE	NR.	DESCRIZIONE DESCRIPTION BESCHREIBUNG DESCRIPTION	N. CODICE CODE NO. WERKSNR. NR. CODE	NR.	DESCRIZIONE DESCRIPTION BESCHREIBUNG DESCRIPTION	N. CODICE CODE NO. WERKSNR. NR. CODE
1	Maniglia con cappuccio "AR" Handle with escutcheon "AR" Griff + Abdeckkappe "AR" Croisillon + rosace "AR"	ZZ 90093 0	5-1	Placchetta a vite maniglia "AR" Cap for handle "AR" Abdeckkappe "AR" Griff Plaquelette cache - vis crois. "AR"	ZZ 92617 0	9-2	Vite di fissaggio diffusore per doccia in ottone Fixing screw for spray-kit handshower Befestigungsschraube f. Einsatz l.Br. in Messing Vis fixation diffuseur pour douche en laiton	ZZ 92640 0
1-1	Maniglia "AR" con vite e placchetta Handle with screw and plate "AR" Griff "AR" mit Schraube und Abdeckkappe Croisillon avec vis et plaque "AR"	ZZ 90307 0	5-2	Vite M.4,5x10 tb. tc. zigrinata Screw M.4,5x10 Schraube M.4,5x10 Vis M.4,5x10	ZZ 92609 0	9-2	Vite di fissaggio diffusore per doccia in ABS Fixing screw for spray-kit ABS handshower Befestigungsschraube f. Einsatz l. Brause in ABS Vis de fixation diffuseur pour douche en ABS	ZZ 93401 0
1-2	Placchetta a vite maniglia "AR" Cap for handle "AR" Abdeckkappe "AR" Griff Plaquelette cache - vis crois. "AR"	ZZ 92617 0	5-3	Rondella ottone 10x4,5x0,8 Ring in brass 10x4,5x0,8 Unterlegscheibe 10x4,5x0,8 Joint laiton 10x4,5x0,8	ZZ 92663 0	9-3	Valvola anti-ritorno Ø15 per doccia Back-flow valve Ø15 Durchflussverhinderer Ø15 Clapet anti-retour Ø15	ZZ 92956 0
1-3	Vite M.4,5x10 tb. tc. zigrinata Screw M.4,5x10 Schraube M.4,5x10 Vis M.4,5x10	ZZ 92609 0	6	Cappuccio per deviatore batteria vasca "AR" Escutcheon for diverter "AR" Abdeckkappe "AR" Rosace inverseur "AR"	ZZ 92953 0	9-4	Guarnizione fibra 18,5x11x2 Gasket rubber 18,5x11x2 Fiberdichtung 18,5x11x2 Joint en fibre 18,5x11x2	ZZ 92714 0
1-4	Tubetto copriasta "AR" H.31 Tube "AR" H.31 Abdeckkappe Oberenteil "AR" H.31 Tube couvre-tête "AR" H.31	ZZ 92620 0	7	Gruppo deviazione batteria bordo vasca "AR" Diverter for bath mixer "AR" Umsteller l/Wannenbatterie "AR" Inverseur - B/D "AR"	ZZ 92758 0	9-5	Raccordo conico doccia batteria vasca "AR" Connection for shower "AR" Anschluss "AR" Raccord douche s/gorge "AR"	ZZ 90337 0
1-5	Cappuccio a campana "AR" Escutcheon "AR" Abdeckkappe "AR" Rosace "AR"	ZZ 92598 0	7-1	Vitone deviazione batteria vasca "AR" Umstelloberteil "AR" Tête pour inverseur "AR"	ZZ 90248 0	10	Cappuccio supporto doccia bordo vasca "AR" Escutcheon shower "AR" Abdeckkappe "AR" Rosace douche "AR"	ZZ 92599 0
2	Set installazione batteria lavabo Installation set basin mixer Befestigungssat Set installation	ZZ 92756 0	7-2	O.R. 11 NBR 75 SH. O.R. 11 NBR 75 SH. O.R. 11 NBR 75 SH.	ZZ 92690 0	11	Supporto doccia batteria bordo vasca "AR" Deck-mounted handshower support "AR" Brausehalter "AR" Support douche "AR"	ZZ 90104 0
3	Piantana lavabo "AC" (se montata crociera) Tail piece-basin mixer "AC" (mounted conn) Unterteil-WT "AC" (montiert Kreuzstück) Comp lateral "AC" (raccord à croix)	ZZ 92896 0	7-3	Guarnizione fibra 27x24x1 Gasket rubber 27x24x1 Fiberdichtung 27x24x1 Joint en fibre rouge 27x24x1	ZZ 92687 0	12	Guarnizione fibra 18,5x11x2 Gasket rubber 18,5x11x2 Fiberdichtung 18,5x11x2 Joint en fibre 18,5x11x2	ZZ 92714 0
3-1	Vitone ceramico DX per batteria "AC" Ceramic headvalve 1/2" right "AC"-long Keramkoberteil 1/2"-rechts-"AC"-lang Tête ceramique 1/2" droite "AC"-longue	ZZ 92859 0	8	Flessibile 175 cm Ø14 3/8" x M.15x1 Flex 175 cm Ø14 3/8" M.15x1 Brauseschlauch 175 cm Ø14 3/8" x M.15x1 Flex 175 cm Ø14 3/8" x M.15x1	ZZ 92757 0	13	Set installazione deviatore batteria vasca Installation set Befestigungssatz l/Umsteller Wannenrandmtg Set installation inverseur B/D	ZZ 92797 0
4	Guarnizione NBR 90 SH. 24x16x2,7 Gasket NBR 90 SH. 24x16x2,7 Dichtung NBR 90 SH. 24x16x2,7 Joint NBR 90 SH. 24x16x2,7	ZZ 92689 0	9	Doccia per batteria vasca "AR" Handshower for bath mixer "AR" Handbrause-WB "AR" Douchette "AR" sur gorge Diffuseur doccia "AR"	ZZ 90336 0			
5	Deviatore centrale incasso "AR" Griff fuer UP - umst. "AR" Croisillon inverseur "AR"	ZZ 90087 0	9-1	Spray-kit handshower "AR" Einsatz l/Brause "AR" Diffuseur douchette "AR"	ZZ 90544 0			

AC.3

AC000290

<https://en.cisal.it/deck-mounted-4-hole-bath-mixer-arcana-ceramic-ac000290>

2026-04-29