

Concealed part single lever free-standing CONCEALED_ZA004510

MODEL **ZA004510**

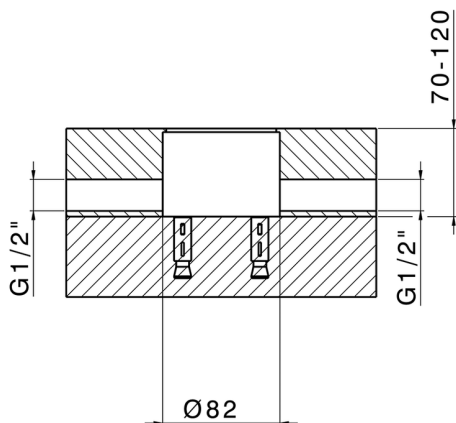
Concealed part single lever free-standing

AVAILABLE FINISHINGS

 **04** 04 Without finishing

CHARACTERISTICS

Concealed **1**



2026-06-14