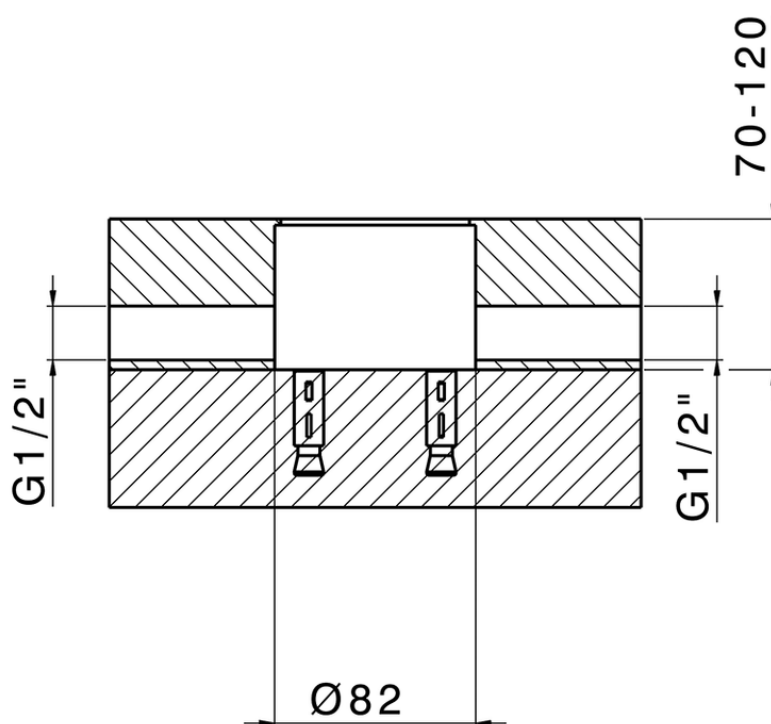


Concealed part single lever free-standing CONCEALED_ZA004510

ZA004510

<https://en.cisal.it/concealed-part-single-lever-free-standing-concealed-za004510>

2026-05-19