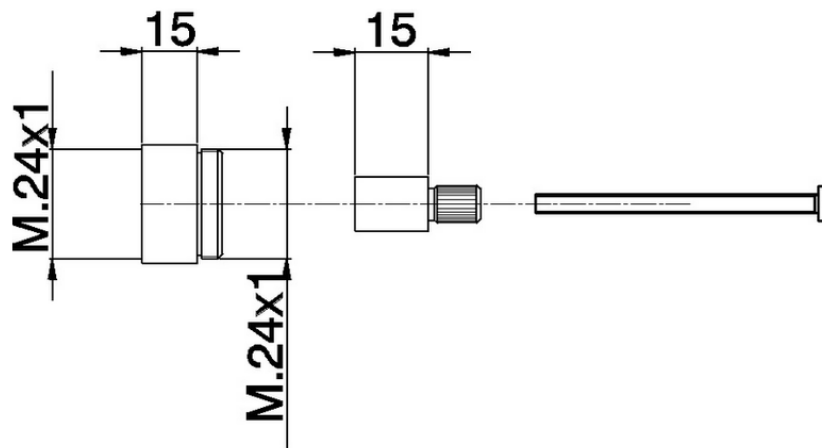


## Extension +15 mm COMPONENTS\_ZA000470



ZA000470

<https://en.cisal.it/extension-15-mm-components-za000470>

2026-04-30