

Bidet mixer ARCANA AMERICA_AA000550

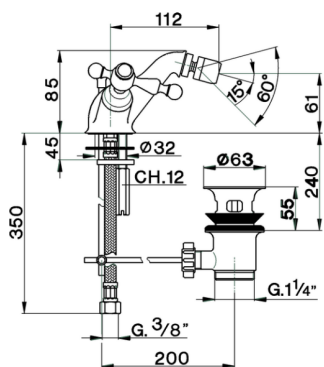
MODEL **AA000550**

Bidet mixer, with automatic 1"1/4 automatic pop-up waste, G.3/8" stainless steel flexible hoses



AVAILABLE FINISHINGS

-  **21** 21 Chrome
-  **24** 24 Gold
-  **26** 26 Old Copper
-  **27** 27 Old Bronze
-  **2A** 2A Satin Brushed Nickel
-  **74** 74 Chrome/Gold



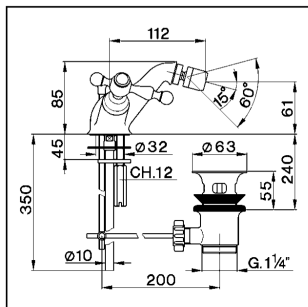
CHARACTERISTICS



Bidet mixer ARCANA AMERICA_AA000550

cisal

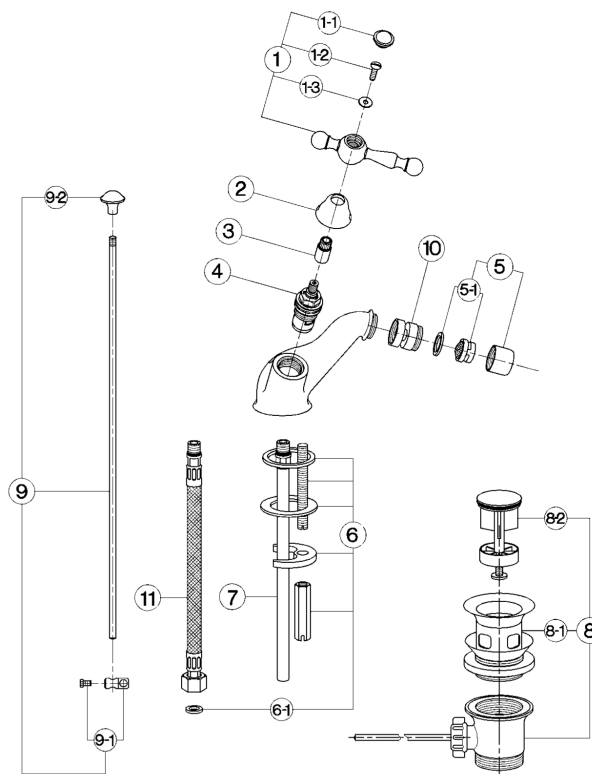
AA 00055



- Monoforo bidet
- Single hole bidet mixer
- Bidet-Einlochbatterie
- Mélangeur monotrou bidet

bar	PORTATA BOCCA DI EROGAZIONE * SPOUT FLOW RATE DURCHFLOSS WANNENEINLAUF DÉBIT BEC DEVERSEUR l/min.
0.5	6
1	8.5
2	11.5
3	14
4	16.5
5	18.5

* con resistenza silenziosa della classe di portata A (15 l/min. a 3 bar)
with hydraulic resistance of flow rate class A (15 l/min. at 3 bar)
mit geräuscharmen Widerstand der Durchflussklasse A (15 l/min. bei 3 bar)
avec aérateur classe A (15 l/min. à 3 bar)



NR.	DESCRIZIONE DESCRIPTION BESCHREIBUNG DESCRIPTION	N. CODICE CODE NO. WERKSNR. NR. CODE	NR.	DESCRIZIONE DESCRIPTION BESCHREIBUNG DESCRIPTION	N. CODICE CODE NO. WERKSNR. NR. CODE	NR.	DESCRIZIONE DESCRIPTION BESCHREIBUNG DESCRIPTION	N. CODICE CODE NO. WERKSNR. NR. CODE
1	Leva "AA" con vite e placchetta Lever with screw and plate "AA" Hebel "AA" mit Schraube und Abdeckkappe Lévier "AA" avec vis et plaque	ZZ 92974 0	5-1	Cartuccia per aeratore M. 22x1 Mousseur cartridge M.22x1 Kart./Perlator M.22x1 Cartouche x mousseur M.22x1	ZZ 92708 0	9-2	Pomolo per scarico automatico "AR" Knob for pop-up rod "AR" Zugknopf f/Abflautgarn."AR" Pommeau - lige "AR"	ZZ 92624 0
1-1	Placchetta a vite maniglia "AR" Cap for handle "AR" Abdeckkappe "AR" Griff Plaque cache - vis crois. "AR"	ZZ 92617 0	6	Set installazione monocomando monoforo Installation set single hole Befestigungsset Set installation	ZZ 92851 0	10	Snodo per bidet M.22x1 Joint for bidet M.22x1 Gelenkstück f/Bidet M.22x1 Rotule pour bidet M.22x1	ZZ 92780 0
1-2	Vite M.4x20 lb. tc. zigrinata Screw M.4x20 Schraube M.4x20 Vis M.4x20	ZZ 92650 0	6-1	Guarnizione fibra 3/8" Gasket rubber 3/8" Fiberdichtung 3/8" Joint en fibre 3/8"	ZZ 92696 0	11	Flessibile M.11x1 3/8" L.365 Flex M.11x1 3/8" L.365 Anschlusschlauch M.11x1 3/8" L.365 Flex M.11x1 3/8" L.365	ZZ 92842 0
1-3	Rondella ottone 12x4,3x1 Ring in brass 12x4,3x1 Unterlegscheibe 12x4,3x1 Joint laiton 12x4,3x1	ZZ 92673 0	7	Tubetto monoforo "SU" con O.R. Tube with O.R. "SU" Anschlussrohre mit O.R. "SU" Tube "SU" avec O.R.	ZZ 92838 0			
2	Cappuccio coprivite Ø32 H.21 "AC" Escutcheon Ø32 H.21 "AC" Abdeckkappe Ø32 H.21 "AC" Rosace couvre-tête Ø32 H.21 "AC"	ZZ 92652 0	8	Scarico automatico 1" 1/4 sabbaiato Pop-up waste 1" 1/4 Abflautgarnitur 1" 1/4 Vidage automat. 1"1/4	ZZ 92754 0			
3	Prolunga asta vitone monoforo "AA" Extension for headvalve "AA" Verlängerung f/Einlochbatterie "AA" Rallonge levier "AA"	ZZ 92671 0	8-1	Piletta per scarico automatico 1" 1/4 Waste for bath drain 1" 1/4 Abflaut f/Abflautgarnitur 1" 1/4 Crepine pour vidage 1" 1/4	ZZ 92924 0			
4	Vitone ceramico 1/2" DX 90° Ceramic headvalve 1/2" right 90° Keramikoberteil 1/2" - rechts - 90° Tête céram. 1/2" droite 90°	ZZ 92907 0	8-2	Tappo completo scarico automatico 1" 1/4 Plug for pop-up waste 1" 1/4 Stopfen f/Abflautg. apt 1" 1/4 Bonde - vidage 1"1/4	ZZ 92925 0			
4	Vitone ceramico 1/2" SX 90° Ceramic headvalve 1/2" left 90° Keramikoberteil 1/2" - links - 90° Tête céram. 1/2" gauche 90°	ZZ 92906 0	9	Astina scarico completa Ø6 Rod Ø6 Zugstange Ø6 Tige Ø6	ZZ 92759 0			
5	Aeratore M.22x1 IA Mousseur M.22x1 IA Perlator M.22x1 IA Mousseur M.22x1 IA	ZZ 92835 0	9-1	Morsetto astina scarico automatico Ø6,2 Connection for pop-up rod Ø6,2 Gelenkstück f/Zugstange Ø6,2 Jonction x lige vidage Ø6,2	ZZ 92622 0			

AA.8

AA000550

<https://en.cisal.it/bidet-mixer-arcana-america-aa000550>

2024-12-22