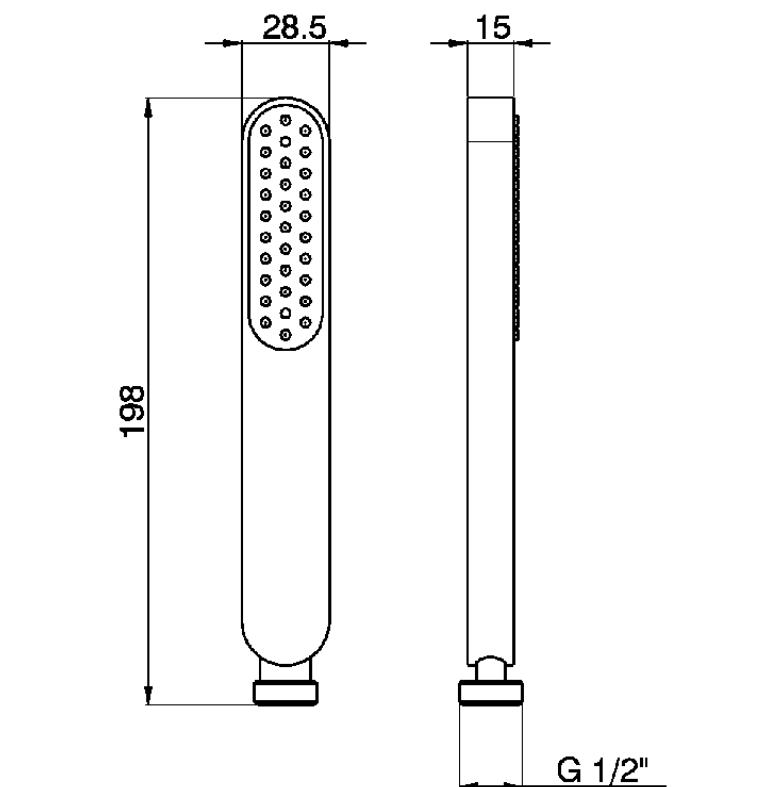


Lineaviva handshower SHOWER_DS014250



DS014250

<https://en.cisal.it/lineaviva-handshower-shower-ds014250>

2026-06-05